



Sunshine Home Material
Cabinetry · Stone · Flooring

Value Quality Factory Direct



General RTA **SPEC BOOK**

2026

Quality Wholesale Cabinets

We proudly serve contractors, retailers, builders, designers, & DIY experts to bring their remodels to life with premium products designed to meet the demands of any home, FAST.

Contact us TODAY for Free Estimates

2026



NEW - Luna Grey x Sage Green

Table of Contents

04	Cabinet Construction Premium Grade	11	Wall Cabinet Diagram
05	Essential Collection	26	Base Cabinet Diagram
06	Cabinet Construction Universal	36	Tall Cabinet Diagram
08	Charm Collection	41	Vanity Cabinet Diagram
09	Double Shaker and Classic Collection	46	Accessories & Molding Diagram
10	How to Order	57	Warranty

Cabinet Construction Premium Grade

- SW, GR, NB, SE
- CW, AW, AC



- 05** Full overlay five-piece doors and drawer fronts.
- 06** 6 way stainless-steel adjustable door hinges and door bumpers included.
- 07** Solid Wood painted face frame.

- 01**  Solid wood drawer box with dovetail construction.
- 02**  Soft close, undermounted full extension drawer slides.
- 03**  UV-coated natural interiors.
- 04**  1/2" plywood boxes with finished exteriors.

A **Door & Drawer Front:** Full overlay, 5-pieces door & drawer, solid wood with MDF center panel.

B **Face Frame:** 3/4" solid wood frame

C **Cabinet Box:** 1/2" cabinet grade plywood box.

D **Drawer Box:** Solid wood, dovertail construction, 2 1/2 depth

E **Drawer Glides:** Concealed undermount full extension glides with soft-close feature.

F **Hinges:** 6-way adjustable with soft-close feature

G **Exterior Finish:** Matching color exterior.

H **Interior Finish:** Clear UV coated natural plywood.

I **Shelves:** 3/4" thick plywood with front edge banding.

J **Accessories:** Door bumper, metal shelf pin, metal clips, L bracket for base cabinet.

K **Package:** One box per cabinet.

L **Certification:** TSCA VI, KCMA, CARB2, NGBS Green.

Essentials

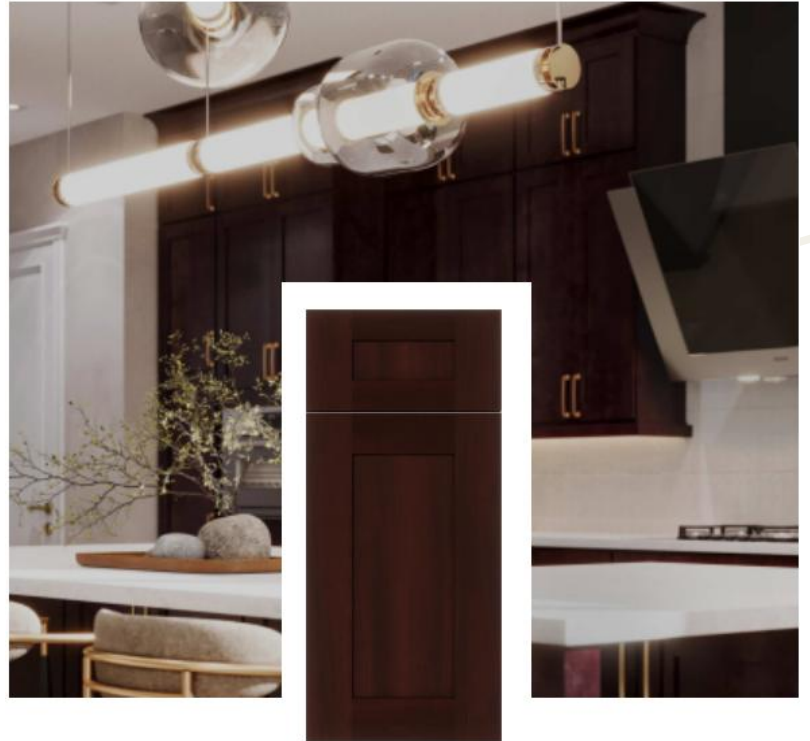
ETA 24-48 Hours on Average

COLLECTION

Classic Shaker White
SW



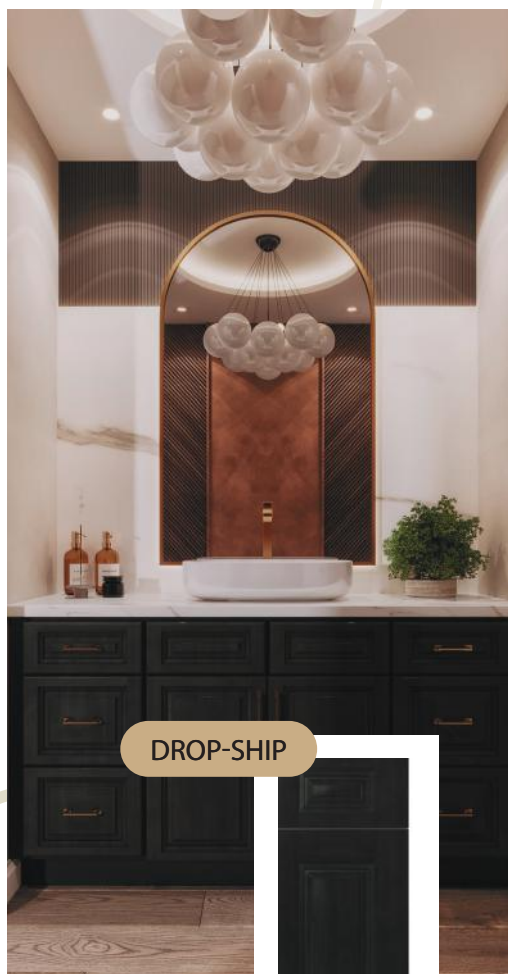
Espresso Shaker
ES



Light Grey Shaker
GR

Classics

ETA 7-10 Business Days on Average



AC -
Aspen Charcoal



AW -
Aspen White



CW -
Charleston White







Cabinet Construction Universal Box

- Charm Collection
- Double Shakers



- 05** Shelf 3/4" thick plywood with front edge banding.
- 06** Full overlay, 5-pieces door & drawer, solid wood with MDF center panel.
- 07** 6-way adjustable with soft-close feature
- 08** 3/4" solid wood frame.

- 01**  Solid wood, dovetail construction, 3 1/8" depth.
- 02**  Concealed undermount full extensions glides with soft-close feature.
- 03**  Interior and Exterior: Clear UV coated natural plywood.
- 04**  1/2" cabinet grade plywood box.

A **Door & Drawer Front:** Full overlay, 5-pieces door & drawer, solid wood with MDF center panel.

B **Face Frame:** 3/4" solid wood frame

C **Cabinet Box:** 1/2" cabinet grade plywood box.

D **Drawer Box:** Solid wood, dovertail construction, 3 1/8 depth

E **Drawer Glides:** Concealed undermount full extension glides with soft-close feature.

F **Hinges:** 6-way adjustable with soft-close feature

G **Exterior Finish:** Clear UV coated natural plywood or Matte White.
Need to add BSV, WSV, USV for the exposed sides

H **Interior Finish:** Clear UV coated natural plywood.

I **Shelves:** 3/4" thick plywood with front edge banding.

J **Accessories:** Door bumper, metal shelf pin, metal clips, L bracket for base cabinet.

K **Package:** 2 packages, universal box & front set.

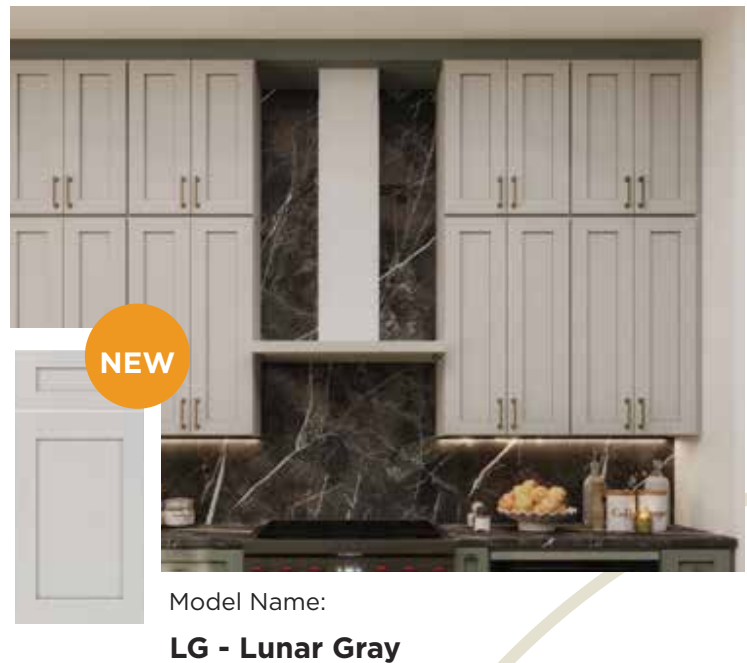
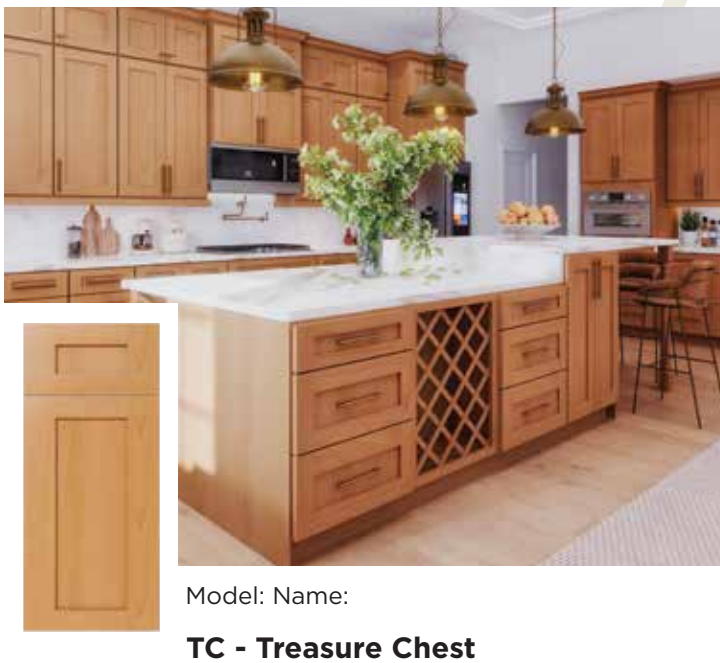
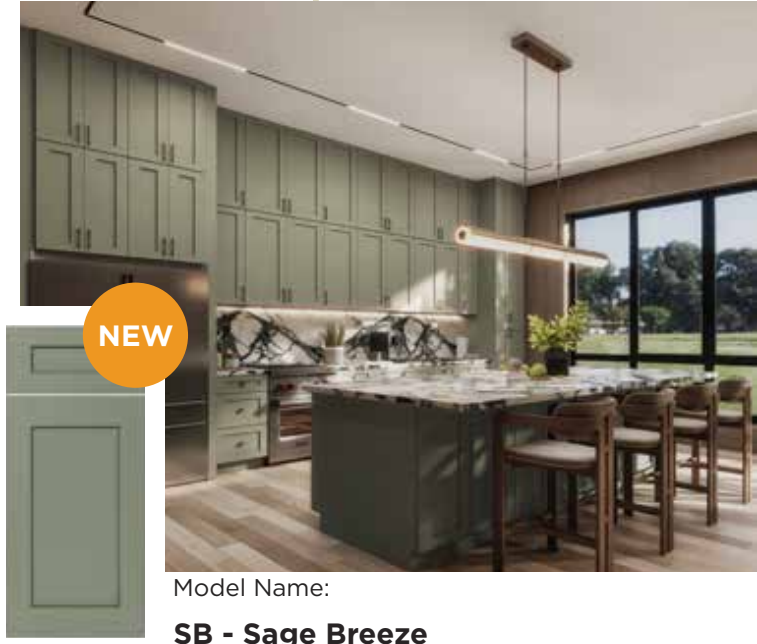
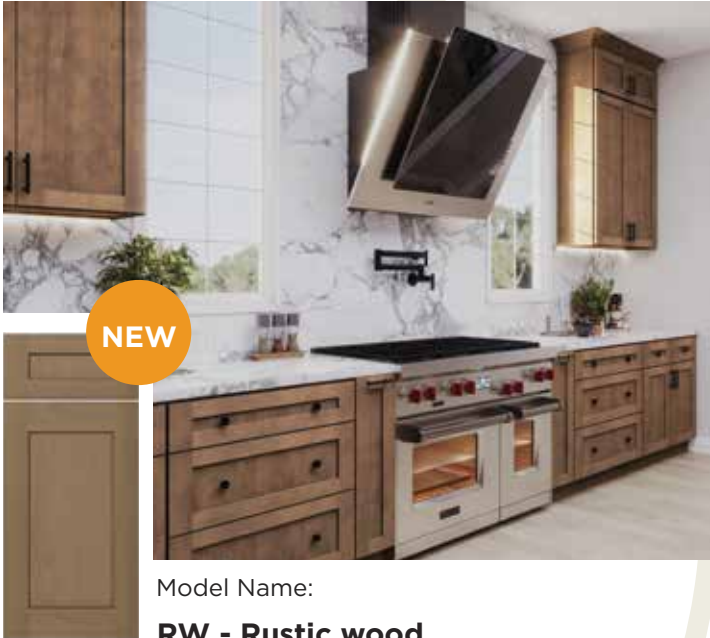
L **Certification:** TSCA VI, KCMA, CARB2, NGBS Green.

PREMIUM **LINE**

Charm

COLLECTION

ETA 24-48 Hours on Average





Model Name:

SA - Smokey Ash



Model Name:

IB- Iron Black



Model Name:

AG - Aston Green



Model Name:

NB - Navy Blue

Double Shaker

COLLECTION

ETA 24-48 Hours on Average



**Double Dove White
DDS**



**Double Smokey Grey
DSG**

How To Order

To Order:

Specify the 2-letter door style,
followed by the product number
for the cabinet.

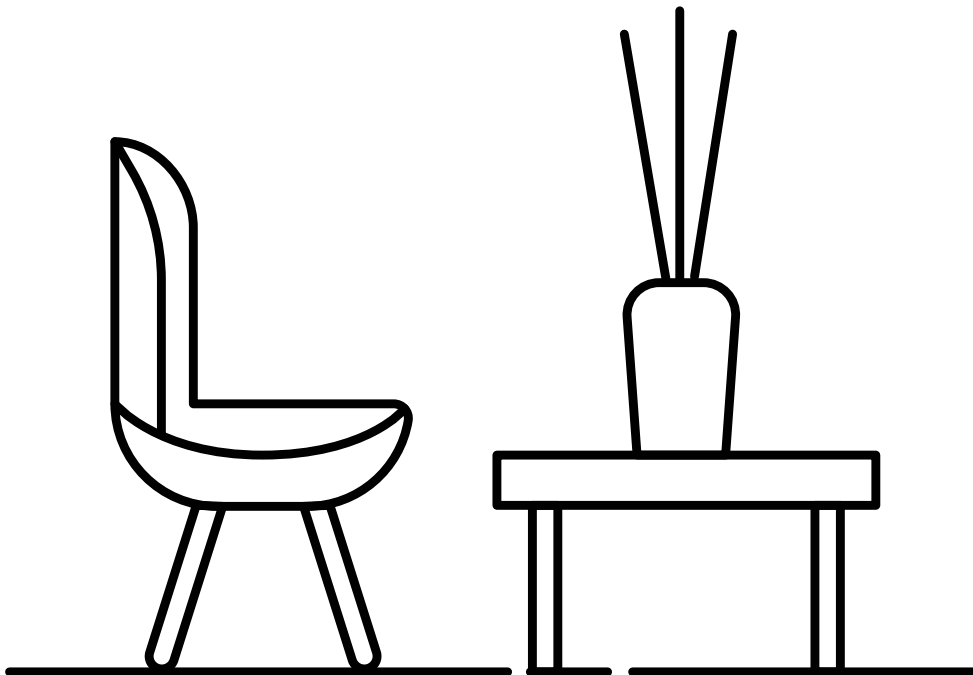
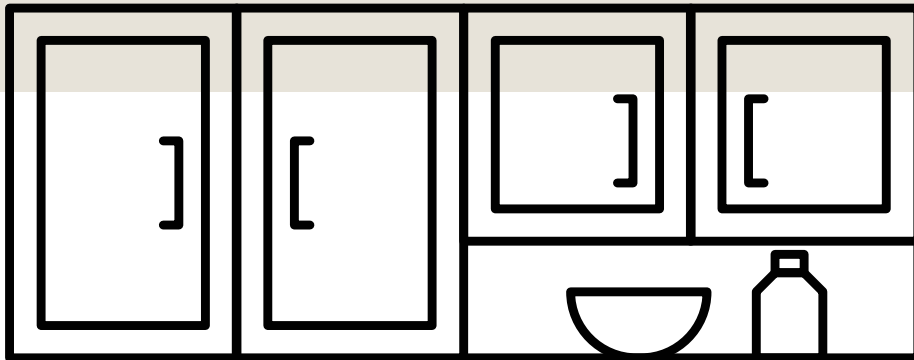


Example Below:

SW-W0930 would be the product number used to order a Shaker White (SW) Wall Cabinet, 09" wide, 30" high.

Wall Cabinets Diagram

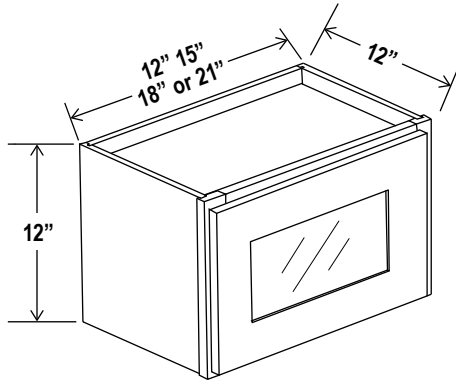
Explore all our SKUs and sizes to find the perfect fit for your needs.



Wall Cabinet Single Glass Door

12"H

Item Code		W	H	D
W1212GD	Cabinet	12	12	12
	Door	11 1/2	11	3/4
W1512GD	Cabinet	15	12	12
	Door	14 1/2	11	3/4
W1812GD	Cabinet	18	12	12
	Door	17 1/2	11	3/4
W2112GD	Cabinet	21	12	12
	Door	20 1/2	11	3/4

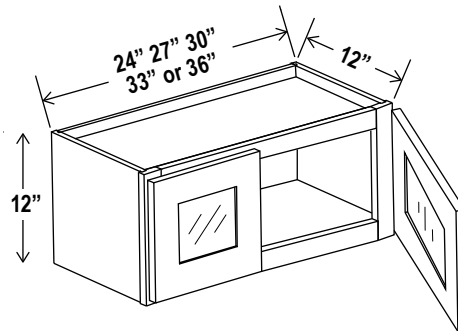


Clear glass & color matched interior - SW, GR, SE, NB, CW, AC, AW
 Frosted glass & natural interior - IB, AR, SA, TC, DDW, DSG

Wall Cabinet Double Glass Doors

12"H

Item Code		W	H	D
W2412GD	Cabinet	24	12	12
	Door	11 3/4	11	3/4
W2712GD	Cabinet	27	12	12
	Door	13 1/4	11	3/4
W3012GD	Cabinet	30	12	12
	Door	14 3/4	11	3/4
W3312GD	Cabinet	33	12	12
	Door	16 1/4	11	3/4
W3612GD	Cabinet	36	12	12
	Door	17 3/4	11	3/4

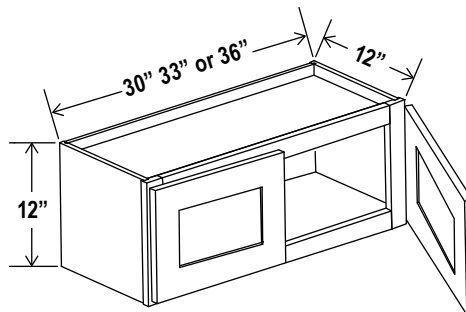


Clear glass & color matched interior - SW, GR, SE, NB, CW, AC, AW
 Frosted glass & natural interior - IB, AR, SA, TC, DDW, DSG

Wall Cabinet Double Doors

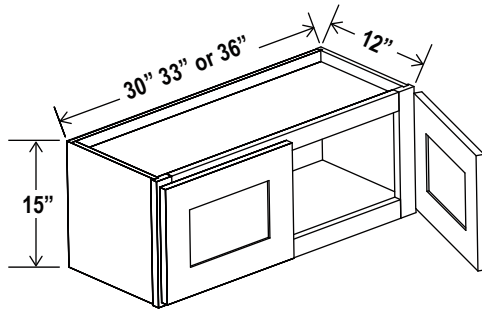
12"H

Item Code		W	H	D
W3012	Cabinet	30	12	12
	Door	14 3/4	11	3/4
W3312	Cabinet	33	12	12
	Door	16 1/4	11	3/4
W3612	Cabinet	36	12	12
	Door	17 3/4	11	3/4



No shelf

15" H

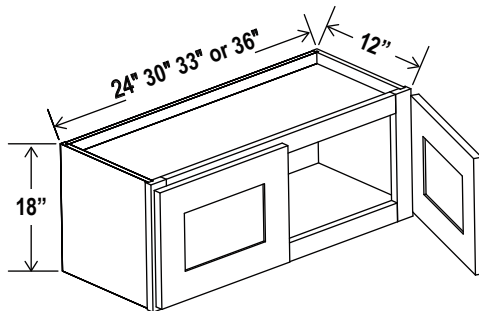


No shelf

Wall Cabinet Double Doors

Item Code		W	H	D
W3015	Cabinet	30	15	12
	Door	14 3/4	14	3/4
W3315	Cabinet	33	15	12
	Door	16 1/4	14	3/4
W3615	Cabinet	36	15	12
	Door	17 3/4	14	3/4

18" H

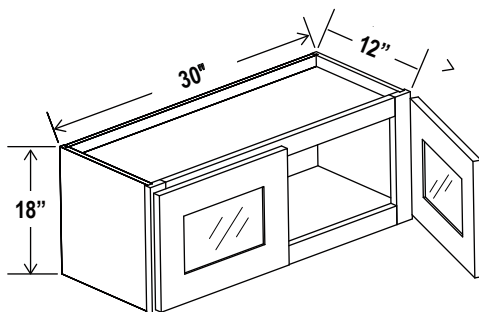


No shelf

Wall Cabinet Double Doors

Item Code		W	H	D
W2418	Cabinet	24	18	12
	Door	11 3/4	17	3/4
W3018	Cabinet	30	18	12
	Door	14 3/4	17	3/4
W3318	Cabinet	33	18	12
	Door	16 1/4	17	3/4
W3618	Cabinet	36	18	12
	Door	17 3/4	17	3/4

18" H



Wall Cabinet Double Glass Doors

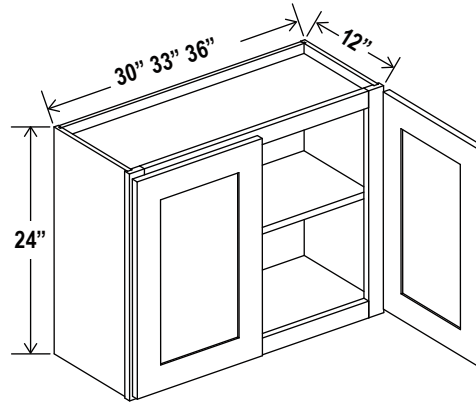
Item Code		W	H	D
W3018GD	Cabinet	30	18	12
	Door	14 3/4	17	3/4

Clear glass & color matched interior - SW, GR, SE, NB, CW, AC, AW
 Frosted glass & natural interior - IB, AR, SA, TC, DDW, DSG

Wall Cabinet Double Doors

24"H

Item Code		W	H	D
W3024	Cabinet	30	24	12
	Door	14 3/4	23	3/4
W3324	Cabinet	33	24	12
	Door	16 1/4	23	3/4
W3624	Cabinet	36	24	12
	Door	17 3/4	23	3/4

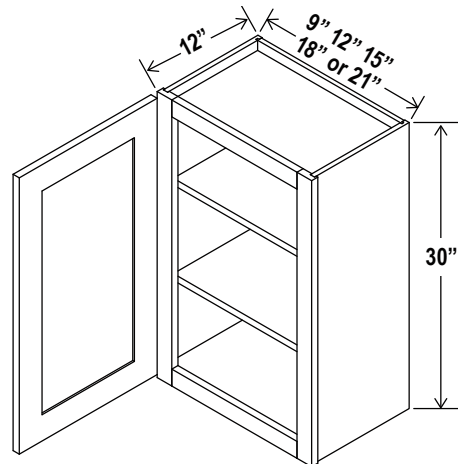


One adjustable shelf

Wall Cabinet Single Door

30"H

Item Code		W	H	D
W0930	Cabinet	9	30	12
	Door	8 1/2	29	3/4
W1230	Cabinet	12	30	12
	Door	11 1/2	29	3/4
W1530	Cabinet	15	30	12
	Door	14 1/2	29	3/4
W1830	Cabinet	18	30	12
	Door	17 1/2	29	3/4
W2130	Cabinet	21	30	12
	Door	20 1/2	29	3/4

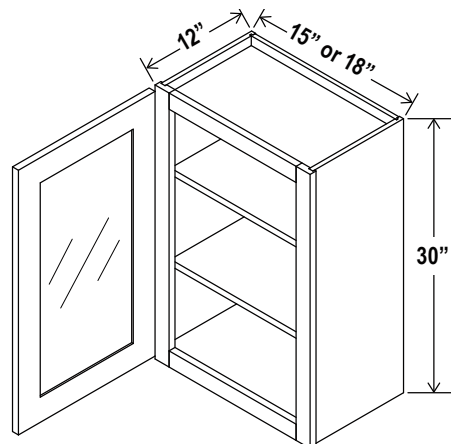


Two adjustable shelves

Wall Cabinet Single Glass Door

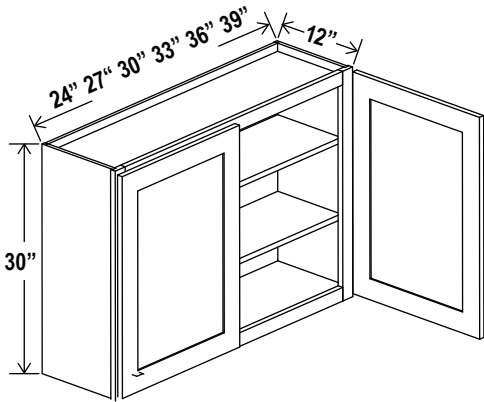
30"H

Item Code		W	H	D
W1530GD	Cabinet	15	30	12
	Door	14 1/2	29	3/4
W1830GD	Cabinet	18	30	12
	Door	17 1/2	29	3/4



Clear glass & color matched interior- SW, GR, SE, NB, CW, AC, AW
 Frosted glass & natural interior - IB, AR, SA, TC, DDW, DSG
 Two adjustable shelves

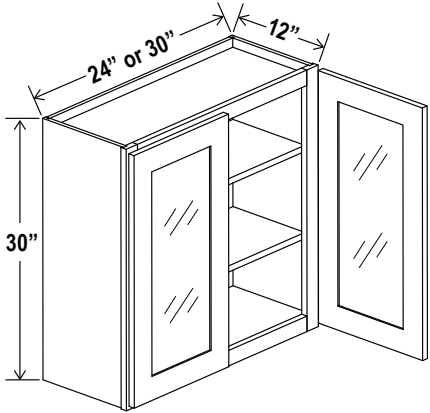
Wall Cabinet Double Doors



Item Code		W	H	D
W2430	Cabinet	24	30	12
	Door	11 3/4	29	3/4
W2730	Cabinet	27	30	12
	Door	13 1/4	29	3/4
W3030	Cabinet	30	30	12
	Door	14 3/4	29	3/4
W3330	Cabinet	33	30	12
	Door	16 1/4	29	3/4
W3630	Cabinet	36	30	12
	Door	17 3/4	29	3/4
W3930	Cabinet	39	30	12
	Door	19 1/4	29	3/4

Two adjustable shelves

30" H

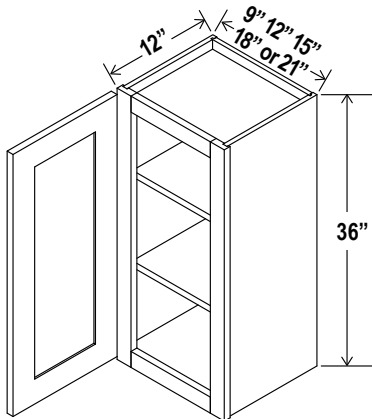


Wall Cabinet Double Glass Doors

Item Code		W	H	D
W2430GD	Cabinet	24	30	12
	Door	11 3/4	29	3/4
W3030GD	Cabinet	30	30	12
	Door	14 3/4	29	3/4

Clear glass & color matched interior- SW, GR, SE, NB, CW, AC, AW
 Frosted glass & natural interior - IB, AR, SA, TC, DDW, DSG
 Two adjustable shelves

36" H



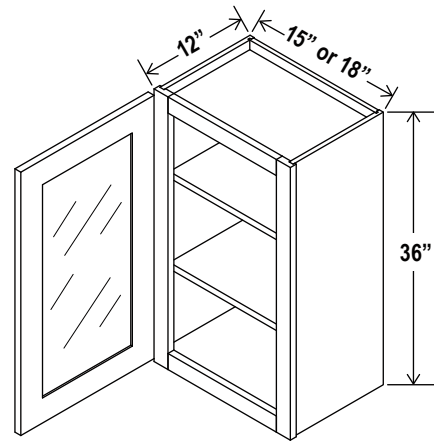
Wall Cabinet Single Door

Item Code		W	H	D
W0936	Cabinet	9	36	12
	Door	8 1/2	35	3/4
W1236	Cabinet	12	36	12
	Door	11 1/2	35	3/4
W1536	Cabinet	15	36	12
	Door	14 1/2	35	3/4
W1836	Cabinet	18	36	12
	Door	17 1/2	35	3/4
W2136	Cabinet	21	36	12
	Door	20 1/2	35	3/4

Two adjustable shelves

Wall Cabinet Single Glass Door

Item Code		W	H	D
W1536GD	Cabinet	15	36	12
	Door	14 1/2	35	3/4
W1836GD	Cabinet	18	36	12
	Door	17 1/2	35	3/4

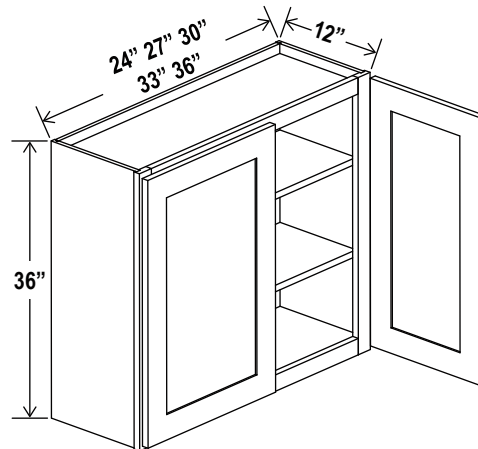


36" H

Clear glass & color matched interior- SW, GR, SE, NB, CW, AC, AW
 Frosted glass & natural interior - IB, AR, SA, TC, DDW, DSG
 Two adjustable shelves

Wall Cabinet Double Doors

Item Code		W	H	D
W2436	Cabinet	24	36	12
	Door	11 3/4	35	3/4
W2736	Cabinet	27	36	12
	Door	13 1/4	35	3/4
W3036	Cabinet	30	36	12
	Door	14 3/4	35	3/4
W3336	Cabinet	33	36	12
	Door	16 1/4	35	3/4
W3636	Cabinet	36	36	12
	Door	17 3/4	35	3/4

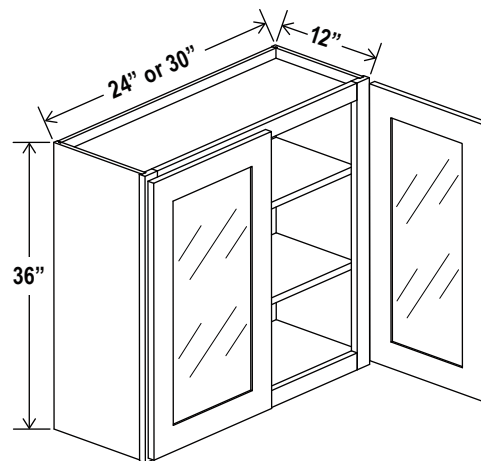


36" H

Two adjustable shelves

Wall Cabinet Double Glass Doors

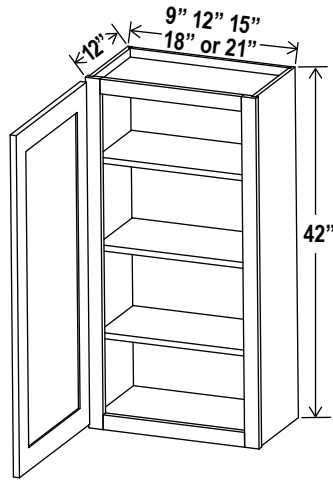
Item Code		W	H	D
W2436GD	Cabinet	24	36	12
	Door	11 3/4	35	3/4
W3036GD	Cabinet	30	36	12
	Door	14 3/4	35	3/4



36" H

Clear glass & color matched interior- SW, GR, SE, NB, CW, AC, AW
 Frosted glass & natural interior - IB, AR, SA, TC, DDW, DSG
 Two adjustable shelves

42" H

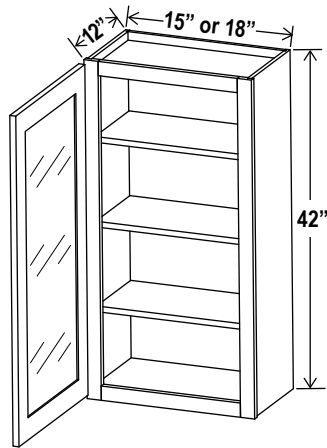


Three adjustable shelves

Wall Cabinet Single Door

Item Code		W	H	D
W0942	Cabinet	9	42	12
	Door	8 1/2	41	3/4
W1242	Cabinet	12	42	12
	Door	11 1/2	41	3/4
W1542	Cabinet	15	42	12
	Door	14 1/2	41	3/4
W1842	Cabinet	18	42	12
	Door	17 1/2	41	3/4
W2142	Cabinet	21	42	12
	Door	20 1/2	41	3/4

42" H

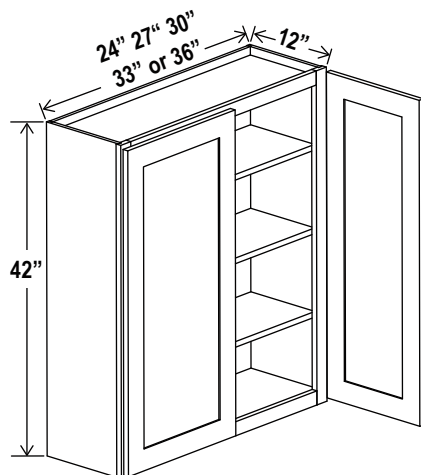


Clear glass & color matched interior- SW, GR, SE, NB, CW, AC, AW
 Frosted glass & natural interior - IB, AR, SA, TC, DDW, DSG
 Three adjustable shelves

Wall Cabinet Single Glass Door

Item Code		W	H	D
W1542GD	Cabinet	15	42	12
	Door	14 1/2	41	3/4
W1842GD	Cabinet	18	42	12
	Door	17 1/2	41	3/4

42" H



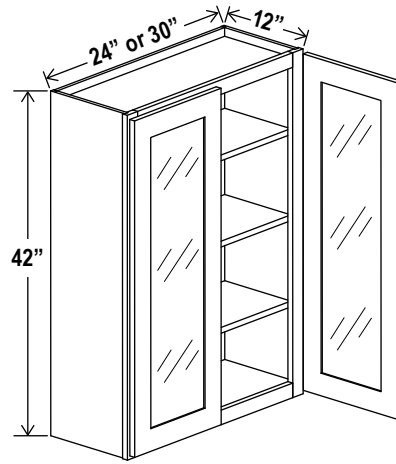
Three adjustable shelves

Wall Cabinet Double Doors

Item Code		W	H	D
W2442	Cabinet	24	42	12
	Door	11 3/4	41	3/4
W2742	Cabinet	27	42	12
	Door	13 1/4	41	3/4
W3042	Cabinet	30	42	12
	Door	14 3/4	41	3/4
W3342	Cabinet	33	42	12
	Door	16 1/4	41	3/4
W3642	Cabinet	36	42	12
	Door	17 3/4	41	3/4

Wall Cabinet Double Glass Doors

Item Code		W	H	D
W2442GD	Cabinet	24	42	12
	Door	11 3/4	41	3/4
W3042GD	Cabinet	30	42	12
	Door	14 3/4	41	3/4

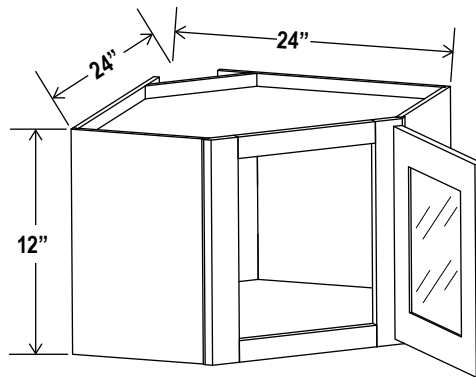


42" H

Clear glass & color matched interior- SW, GR, SE, NB, CW, AC, AW
 Frosted glass & natural interior - IB, AR, SA, TC, DDW, DSG
 Three adjustable shelves

Diagonal Corner Wall Glass Door

Item Code		W	H	D
DCW2412GD	Cabinet	24	12	12
	Door	15 1/4	11	3/4

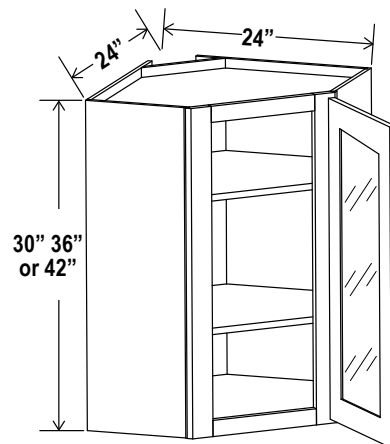


24" W

Clear glass & color matched interior- SW, GR, SE, NB, CW, AC, AW
 Frosted glass & natural interior - IB, AR, SA, TC, DDW, DSG
 No Shelf

Diagonal Corner Wall Glass Door

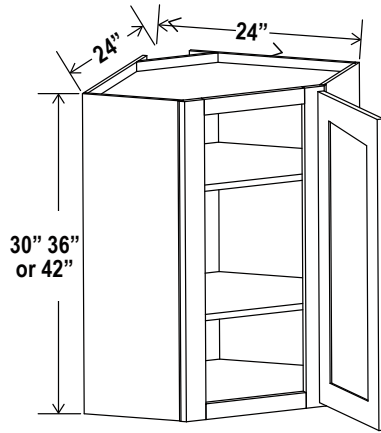
Item Code		W	H	D
DCW2430GD	Cabinet	24	30	12
	Door	15 1/4	29	3/4
DCW2436GD	Cabinet	24	36	12
	Door	15 1/4	35	3/4
DCW2442GD	Cabinet	24	42	12
	Door	15 1/4	41	3/4



24" W

Clear glass & color matched interior- SW, GR, SE, NB, CW, AC, AW
 Frosted glass & natural interior - IB, AR, SA, TC, DDW, DSG
 Two adjustable shelves (30"-36")
 Three adjustable shelves (42")

24"W

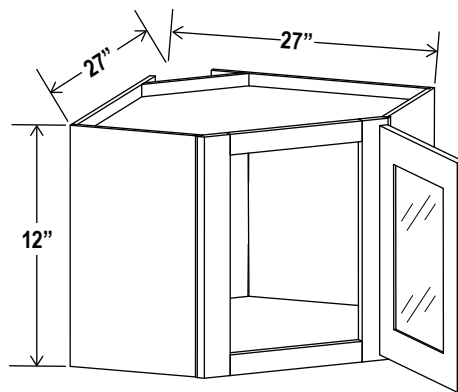


Diagonal Corner Wall Single Door

Item Code		W	H	D
DCW2430	Cabinet	24	30	12
	Door	15 1/4	29	3/4
DCW2436	Cabinet	24	36	12
	Door	15 1/4	35	3/4
DCW2442	Cabinet	24	42	12
	Door	15 1/4	41	3/4

Two adjustable shelves (30"-36")
 Three adjustable shelves (42")

27"W

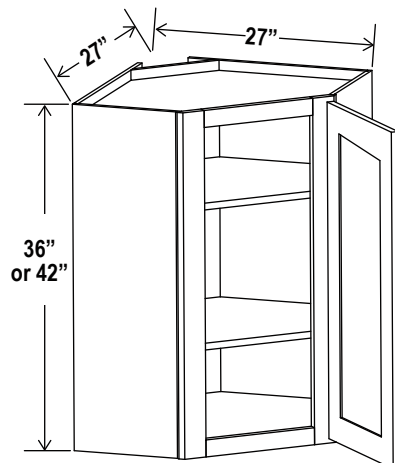


Diagonal Corner Wall Single Glass Door

Item Code		W	H	D
DCW2712GD	Cabinet	27	12	15
	Door	15 1/4	11	3/4

Clear glass & color matched interior- SW, GR, SE, NB, CW, AC, AW
 Frosted glass & natural interior - IB, AR, SA, TC, DDW, DSG
 No Shelf

27"W



Diagonal Corner Wall Cabinet

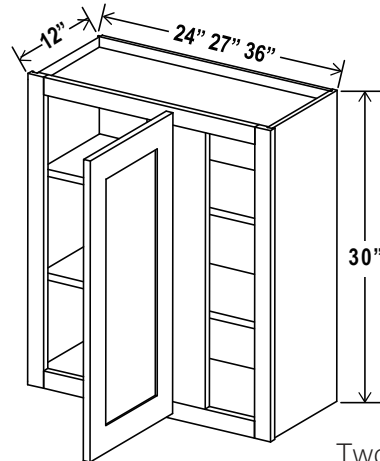
Item Code		W	H	D
DCW2736	Cabinet	27	36	15
	Door	14 3/4	35	3/4
DCW2742	Cabinet	27	42	15
	Door	15 1/4	41	3/4

Two adjustable shelves (36")
 Three adjustable shelves (42")

Wall Blind Corner Cabinet

30" H

Item Code		W	H	D
WBC2430	Cabinet	24	30	12
	Door	9 9/16	29	3/4
WBC2730	Cabinet	27	30	12
	Door	12 9/16	29	3/4
WBC3630	Cabinet	36	30	12
	Door	21 9/16	35	3/4

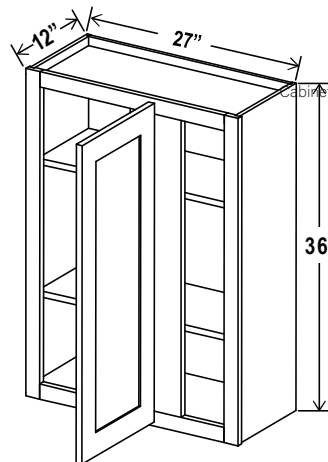


Two adjustable shelves
Can pulled for exact fit

Wall Blind Corner Cabinet

36" H

Item Code		W	H	D
WBC2736	Cabinet	27	36	12
	Door	12 9/16	35	3/4

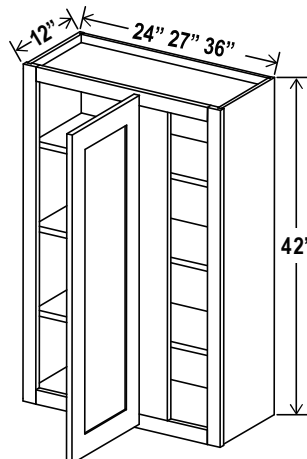


Two adjustable shelves
Can pulled for exact fit

Wall Blind Corner Cabinet

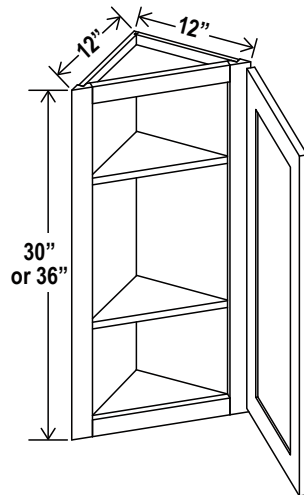
42" H

Item Code		W	H	D
WBC2442	Cabinet	24	42	12
	Door	9 9/16	41	3/4
WBC2742	Cabinet	27	42	12
	Door	12 9/16	41	3/4
WBC3642	Cabinet	36	42	12
	Door	21 9/16	41	3/4



Two adjustable shelves
Can pulled for exact fit

12"W

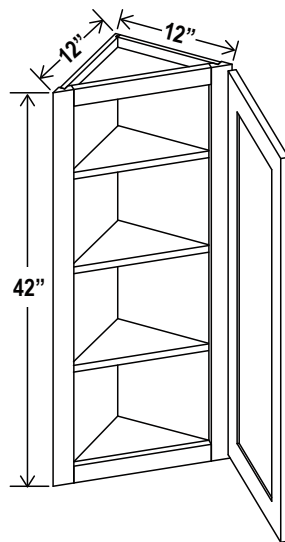


Two adjustable shelves

Angle Wall Cabinet

Item Code		W	H	D
AW1230	Cabinet	12	30	12
	Door	15 3/5	29	3/4
AW1236	Cabinet	12	36	12
	Door	15 3/5	35	3/4

12"W

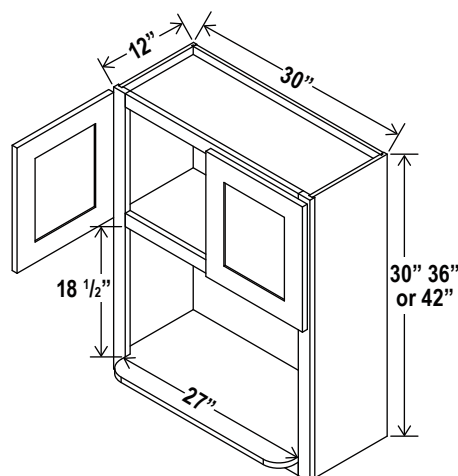


Three adjustable shelves

Angle Wall Cabinet

Item Code		W	H	D
AW1242	Cabinet	12	42	12
	Door	15 3/5	41	3/4

30"W



Microwave Wall Cabinet

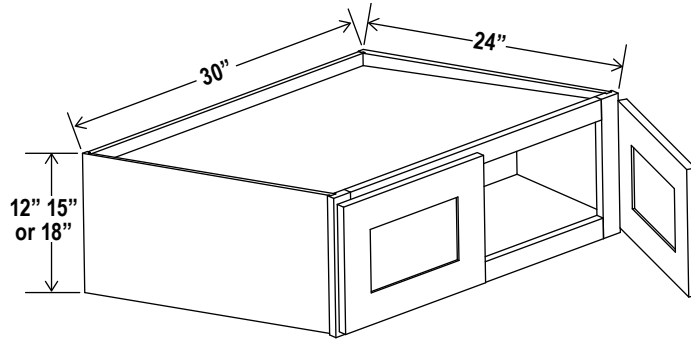
Item Code		W	H	D
MO3030	Cabinet	30	30	12
	Door	14 3/4	9 1/4	3/4
MO3036	Cabinet	30	36	12
	Door	14 3/4	15 1/4	3/4
MO3042	Cabinet	30	42	12
	Door	14 3/4	21 1/4	3/4

Opening Dimensions: 27 W x 18 1/2 H

Refrigerator Wall Cabinet Double doors

30"W

Item Code		W	H	D
W301224	Cabinet	30	12	24
	Door	14 3/4	11	3/4
W301524	Cabinet	30	15	24
	Door	14 3/4	14	3/4
W301824	Cabinet	30	18	24
	Door	14 3/4	17	3/4

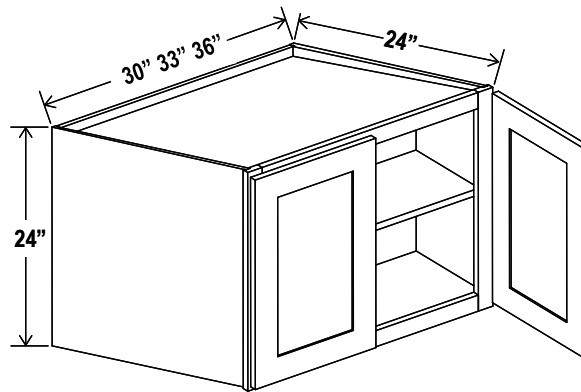


No Shelf

Refrigerator Wall Cabinet Double doors

24"H

Item Code		W	H	D
W302424	Cabinet	30	24	24
	Door	14 3/4	23	3/4
W332424	Cabinet	33	24	24
	Door	16 1/4	23	3/4
W362424	Cabinet	36	24	24
	Door	17 3/4	23	3/4

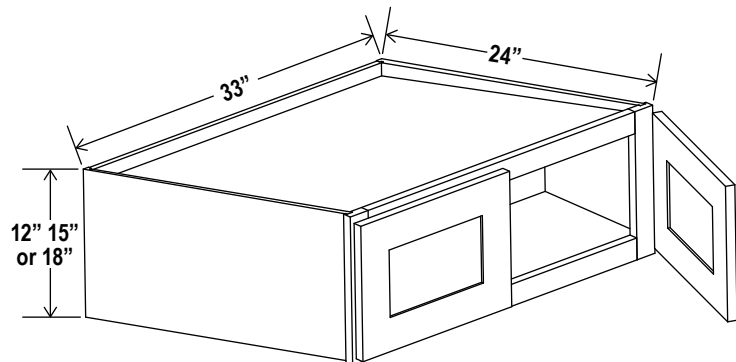


One adjustable shelf

Refrigerator Wall Cabinet Double doors

33"W

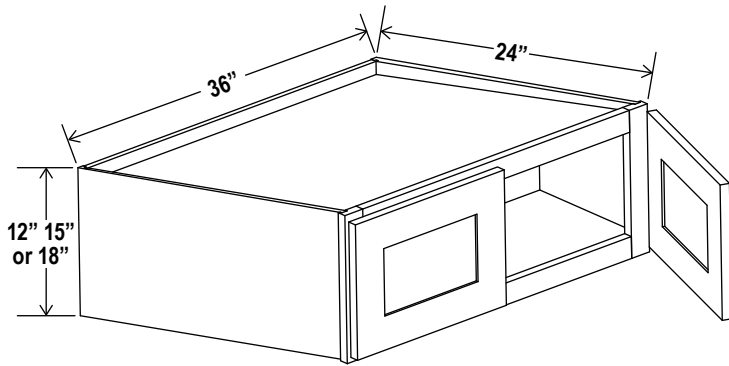
Item Code		W	H	D
W331224	Cabinet	33	12	24
	Door	16 1/4	11	3/4
W331524	Cabinet	33	15	24
	Door	16 1/4	14	3/4
W331824	Cabinet	33	18	24
	Door	16 1/4	17	3/4



No Shelf

36"W

Refrigerator Wall Cabinet Double doors



Item Code		W	H	D
W361224	Cabinet	36	12	24
	Door	17 3/4	11	3/4
W361524	Cabinet	36	15	24
	Door	17 3/4	14	3/4
W361824	Cabinet	36	18	24
	Door	17 3/4	17	3/4

No Shelf

Wall Easy Reach Corner Cabinet

24"W

Item Code		W	H	D
WER2430	Cabinet	24	30	12
	Door	10 5/8	29	3/4
WER2436	Cabinet	24	36	12
	Door	10 5/8	35	3/4
WER2442	Cabinet	24	42	12
	Door	10 5/8	41	3/4

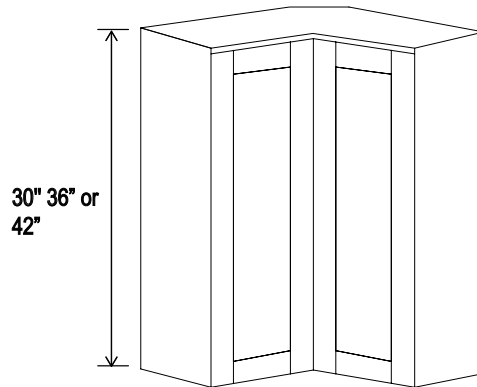
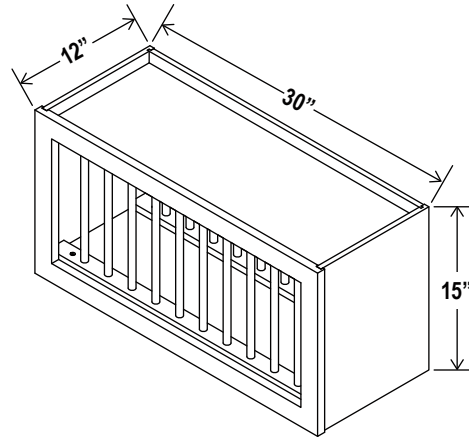


Plate Rack w 10 Plate Slots

15"H

Item Code		W	H	D
PR3015	Cabinet	30	15	12

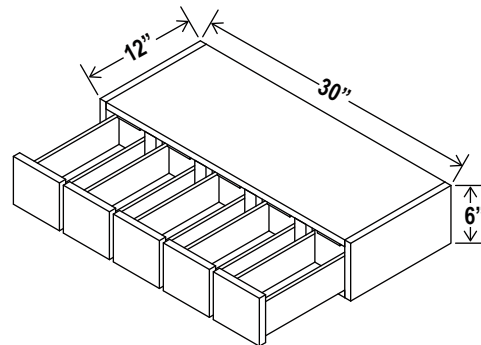


10 plate slots

Wall Spice Drawer

6"H

Item Code		W	H	D
WSD630	Cabinet	30	6	12

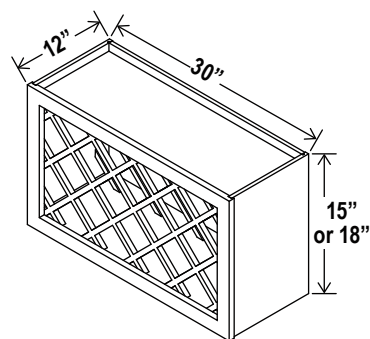


5 drawers

Wine Rack

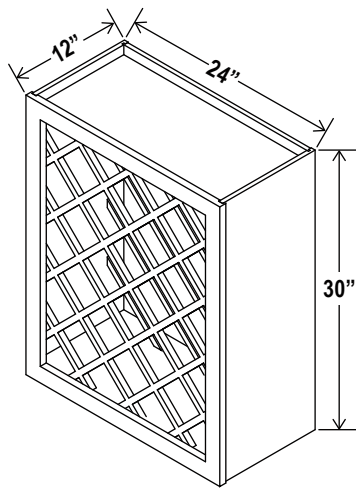
30"W

Item Code		W	H	D
WRC3015	Cabinet	30	15	12
WRC3018	Cabinet	30	18	12



Can install vertically or horizontally

30" H

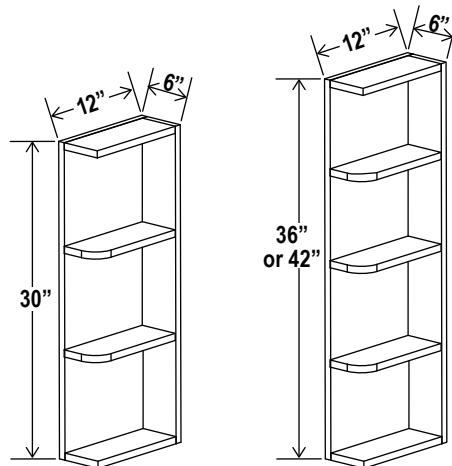


Wine Rack

Item Code		W	H	D
WRC2430	Cabinet	24	30	12

Can install vertically or horizontally

6" W

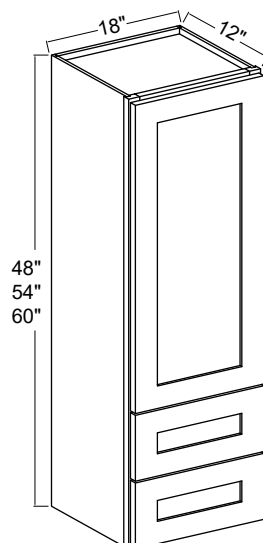


Open End Shelf

Item Code		W	H	D
OE630	Cabinet	6	30	12
OE636	Cabinet	6	36	12
OE642	Cabinet	6	42	12

Matching color interior

Wall Tower Cabinet



Item Code		W	H	D
WD1848	Cabinet	18	48	12
	Door	17 1/2	29	3/4
	Drawer	17 1/2	8 3/4	3/4
WD1854	Cabinet	18	54	12
	Door	17 1/2	35	3/4
	Drawer	17 1/2	8 3/4	3/4
WD1860	Cabinet	18	60	12
	Door	17 1/2	41	3/4
	Drawer	17 1/2	8 3/4	3/4

Base Cabinets

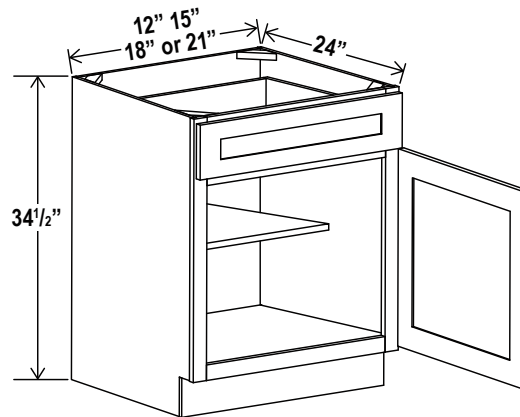
Diagram

Explore all our SKUs and sizes to find the perfect fit for your needs.



Base Cabinet Single Door

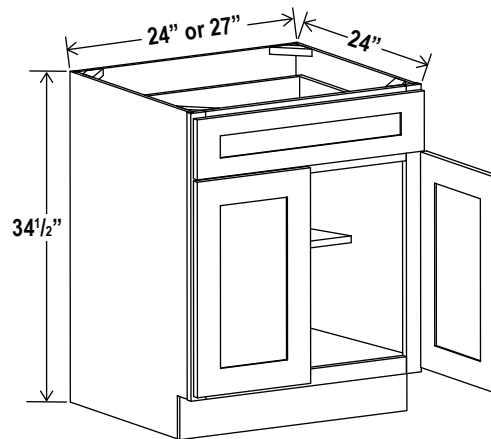
Item Code		W	H	D
B12	Cabinet	12	34 1/2	24
	Door	11 1/2	22 1/2	3/4
	Drawer	11 1/2	6 1/4	3/4
B15	Cabinet	15	34 1/2	24
	Door	14 1/2	22 1/2	3/4
	Drawer	14 1/2	6 1/4	3/4
B18	Cabinet	18	34 1/2	24
	Door	17 1/2	22 1/2	3/4
	Drawer	17 1/2	6 1/4	3/4
B21	Cabinet	21	34 1/2	24
	Door	20 1/2	22 1/2	3/4
	Drawer	20 1/2	6 1/4	3/4



One drawer

Base Cabinet Double Doors

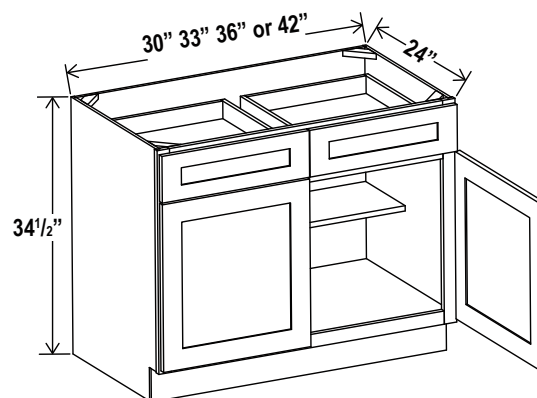
Item Code		W	H	D
B24	Cabinet	24	34 1/2	24
	Door	11 3/4	22 1/2	3/4
	Drawer	23 1/2	6 1/4	3/4
B27	Cabinet	27	34 1/2	24
	Door	13 1/4	22 1/2	3/4
	Drawer	26 1/2	6 1/4	3/4



One drawer

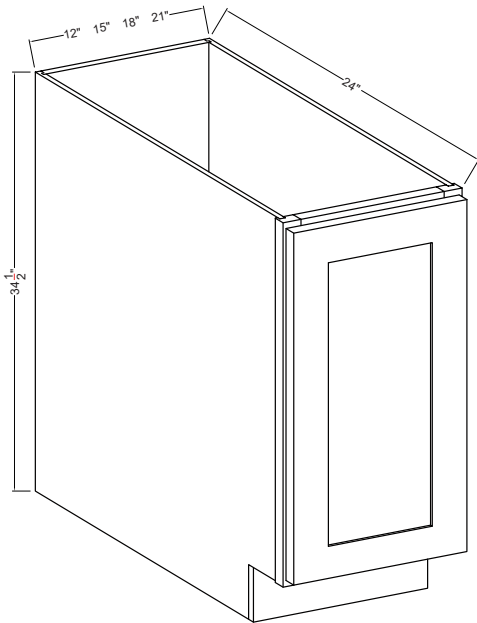
Base Cabinet Double Doors

Item Code		W	H	D
B30	Cabinet	30	34 1/2	24
	Door	14 3/4	22 1/2	3/4
	Drawer	14 3/4	6 1/4	3/4
B33	Cabinet	33	34 1/2	24
	Door	16 1/4	22 1/2	3/4
	Drawer	16 1/4	6 1/4	3/4
B36	Cabinet	36	34 1/2	24
	Door	17 3/4	22 1/2	3/4
	Drawer	17 3/4	6 1/4	3/4
B42	Cabinet	42	34 1/2	24
	Door	20 3/4	22 1/2	3/4
	Drawer	20 3/4	6 1/4	3/4



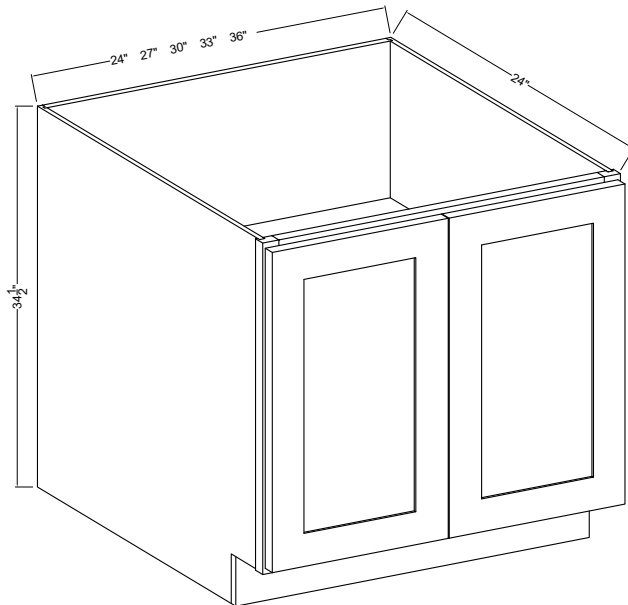
Two drawers

Base Cabinet Full Height Single Door

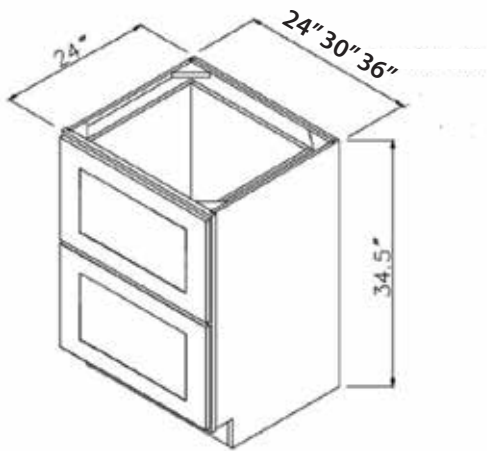


Item Code		W	H	D
BFH12	Cabinet	12	34 1/2	24
	Door	11 1/2	29	3/4
BFH15	Cabinet	15	34 1/2	24
	Door	14 1/2	29	3/4
BFH18	Cabinet	18	34 1/2	24
	Door	17 1/2	29	3/4
BFH21	Cabinet	21	34 1/2	24
	Door	20 1/2	29	3/4

Base Cabinet Full Height Double Door

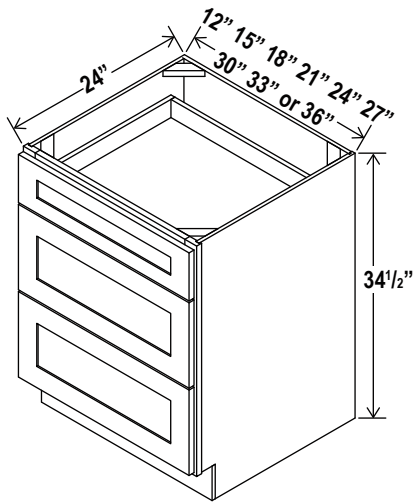


Item Code		W	H	D
BFH24	Cabinet	24	34 1/2	24
	Door	23 1/2	29	3/4
BFH27	Cabinet	27	34 1/2	24
	Door	26 1/2	29	3/4
BFH30	Cabinet	30	34 1/2	24
	Door	29 1/2	29	3/4
BFH33	Cabinet	33	34 1/2	24
	Door	32 1/2	29	3/4
BFH36	Cabinet	36	34 1/2	24
	Door	35 1/2	29	3/4



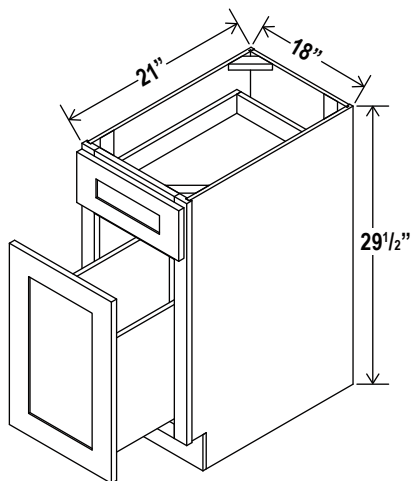
Two Drawer Base

Item Code		W	H	D
2DB24	Cabinet	24	34 1/2	24
	Top Drawer	23 1/4	14 3/8	3/4
	Bottom Drawer	23 1/4	14 3/8	3/4
2DB30	Cabinet	30	34 1/2	24
	Top Drawer	29 1/2	14 3/8	3/4
	Bottom Drawer	29 1/2	14 3/8	3/4
2DB36	Cabinet	36	34 1/2	24
	Top Drawer	35 1/2	14 3/8	3/4
	Bottom Drawer	35 1/2	14 3/8	3/4



Three Drawer Base

Item Code		W	H	D
3DB12	Cabinet	12	34 1/2	24
	Top Drawer	11 1/2	6 1/4	3/4
	Bottom Drawer	11 1/2	11 1/8	3/4
3DB15	Cabinet	15	34 1/2	24
	Top Drawer	14 1/2	6 1/4	3/4
	Bottom Drawer	14 1/2	11 1/8	3/4
3DB18	Cabinet	18	34 1/2	24
	Top Drawer	17 1/2	6 1/4	3/4
	Bottom Drawer	17 1/2	11 1/8	3/4
3DB21	Cabinet	21	34 1/2	24
	Top Drawer	20 1/2	6 1/4	3/4
	Bottom Drawer	20 1/2	11 1/8	3/4
3DB24	Cabinet	24	34 1/2	24
	Top Drawer	23 1/2	6 1/4	3/4
	Bottom Drawer	23 1/2	11 1/8	3/4
3DB27	Cabinet	27	34 1/2	24
	Top Drawer	26 1/2	6 1/4	3/4
	Bottom Drawer	26 1/2	11 1/8	3/4
3DB30	Cabinet	30	34 1/2	24
	Top Drawer	29 1/2	6 1/4	3/4
	Bottom Drawer	29 1/2	11 1/8	3/4
3DB33	Cabinet	33	34 1/2	24
	Top Drawer	32 1/2	6 1/4	3/4
	Bottom Drawer	32 1/2	11 1/8	3/4
3DB36	Cabinet	36	34 1/2	24
	Top Drawer	35 1/2	6 1/4	3/4
	Bottom Drawer	35 1/2	11 1/8	3/4



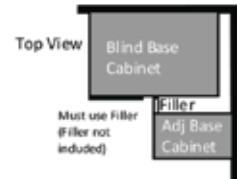
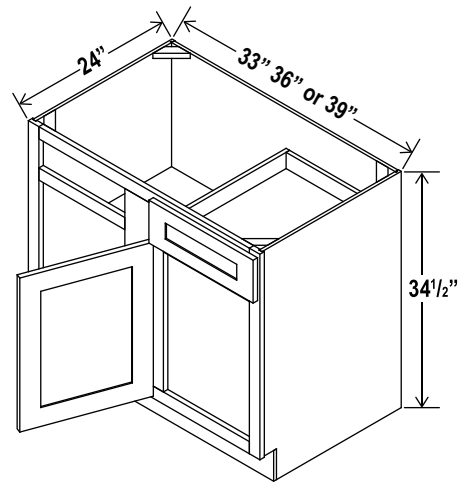
Document File Base Cabinet

Item Code		W	H	D
DFB18	Cabinet	18	29 1/2	21
	Top Drawer	17 1/2	6 1/4	3/4
	Bottom Drawer	17 1/2	17 1/2	3/4

*Hardware not included.

Blind Corner Base Cabinet

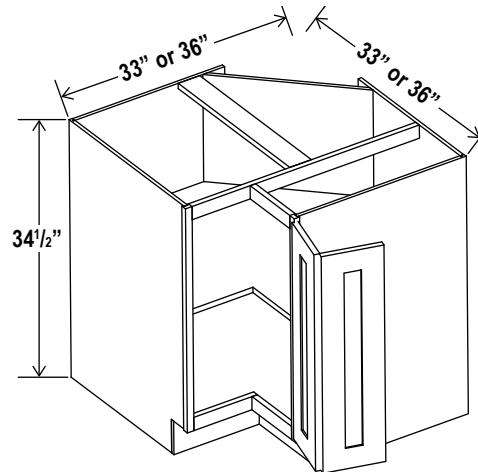
Item Code		W	H	D
BBC36	Cabinet	33	34 1/2	24
	Door	10	22 1/2	3/4
	Drawer	10	6 1/4	3/4
	Install range: 36" - 39"			
BBC39	Cabinet	36	34 1/2	24
	Door	12 3/4	22 1/2	3/4
	Drawer	12 3/4	6 1/4	3/4
	Install range: 39" - 42"			
BBC42	Cabinet	39	34 1/3	24
	Door	15 3/4	22 1/2	3/4
	Drawer	15 3/4	6 1/4	3/4
	Install range: 42" - 45"			



BBC36 36"-39"
 BBC39 39"-42"
 BBC42 42'-45'

Easy Reach Base Cabinet

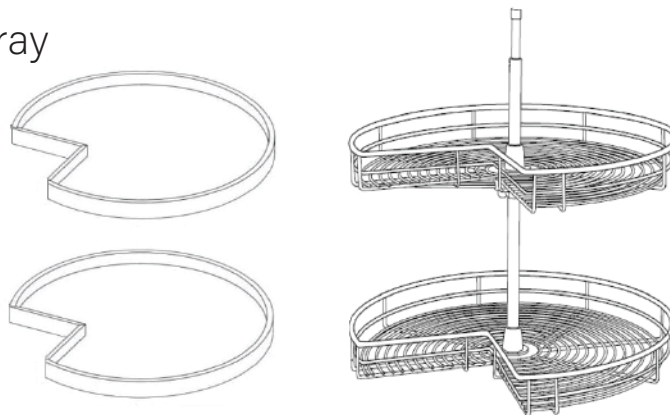
Item Code		W	H	D
ERB33	Cabinet	33	34 1/2	24
	Door	7 5/8	29	3/4
ERB36	Cabinet	36	34 1/2	24
	Door	10 5/8	29	3/4



One bi-fold door

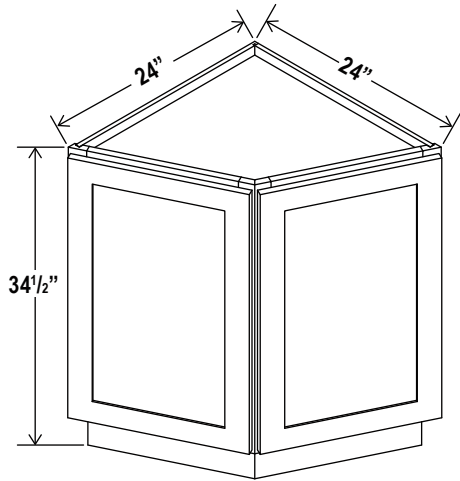
Wood Tray / Chrome Tray

Item Code
Wood Tray
Chrome Tray 33
Chrome Tray 36



Add to ERB for Lazy Susan
 ** NOTE: Wood tray does not have a pole included in the middle
 Wood Tray *** Can be used in frameless line. Fits both 33" and 36"
 Trays are shelf mounted

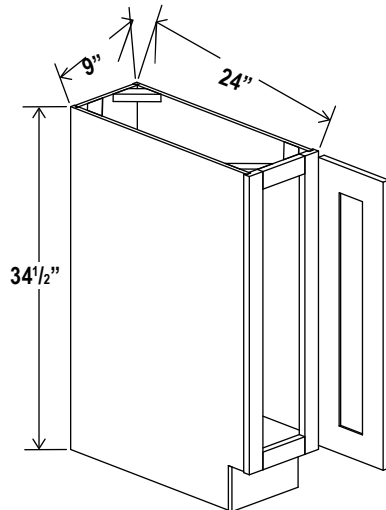
Base End Cabinet



Item Code		W	H	D
BEC24	Cabinet	24	34 1/2	24
	Door	17 1/2	29	3/4

Both doors operational

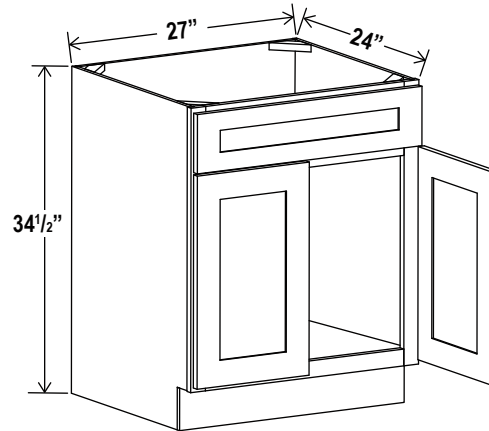
Base Tray



Item Code		W	H	D
BT09	Cabinet	9	34 1/2	24
	Door	8 1/2	29	3/4

Sink Base

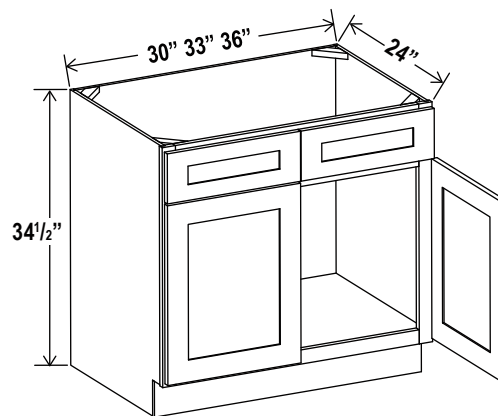
Item Code		W	H	D
SB27	Cabinet	27	34 1/2	24
	Door	13 1/4	22 1/2	3/4
	Drawer	26 1/2	6 1/4	3/4



One dummy drawer

Sink Base

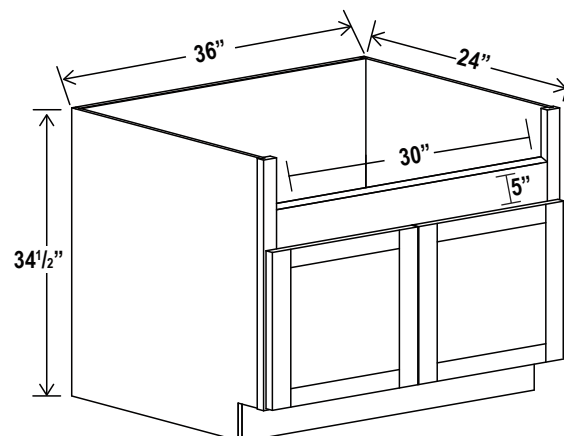
Item Code		W	H	D
SB30	Cabinet	30	34 1/2	24
	Door	14 3/4	22 1/2	3/4
	Drawer	14 3/4	6 1/4	3/4
SB33	Cabinet	33	34 1/2	24
	Door	16 1/4	22 1/2	3/4
	Drawer	16 1/4	6 1/4	3/4
SB36	Cabinet	36	34 1/2	24
	Door	17 3/4	22 1/2	3/4
	Drawer	17 3/4	6 1/4	3/4



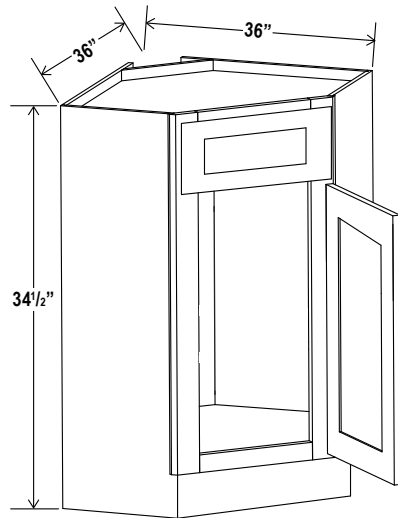
Two dummy drawers

Farmhouse Sink Base

Item Code		W	H	D
FSB36	Cabinet	36	34 1/2	24
	Door	17 3/4	16 1/2	3/4
	Sink Trimout: 30"W X 7 1/2"-9"H			



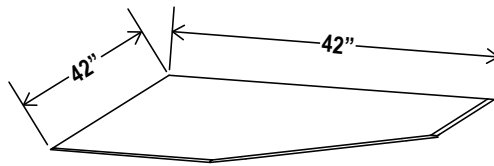
Corner Sink Base Cabinet



Item Code		W	H	D
CSB36	Cabinet	36	34 1/2	24
	Door	15 1/4	22 1/4	3/4
	Drawer	15 1/4	6 1/4	3/4

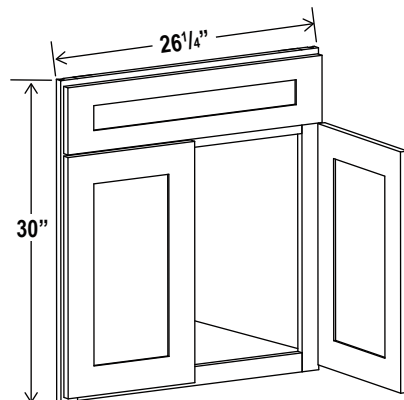
One dummy drawer

Corner Sink Base Floor



Item Code		W
SBF4242	Cabinet	42

Corner Sink Base Front

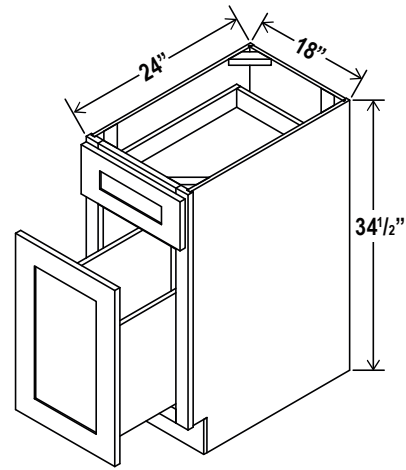


Item Code		W	H	D
DCSF42	Cabinet	26 1/4	30	3/4
	Door	11 3/4	22 1/2	3/4
	Drawer	23 1/2	6 1/4	3/4

For use with SBF4242

Base Waste Basket Cabinet

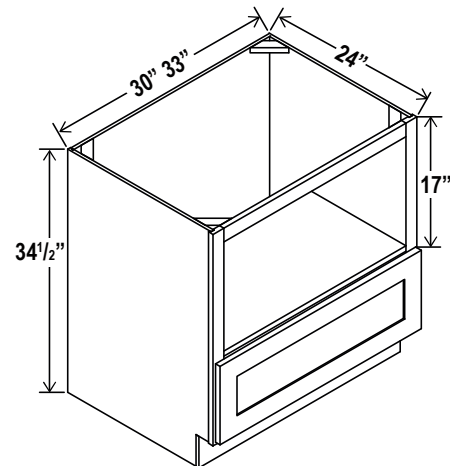
Item Code		W	H	D
BWB18	Cabinet	18	34 1/2	24
	Top Drawer	17 1/2	6 1/4	3/4
	Bottom Drawer	17 1/2	22 1/2	3/4



Trash can is not included, it can be order separately.

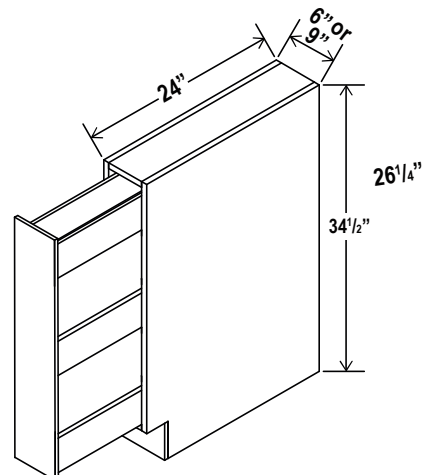
Microwave Base Cabinet

Item Code		W	H	D
MB30	Cabinet	30	34 1/2	24
	Drawer	29 1/2	10 1/2	3/4
Opening Dimensions: 27"W x 17"H				
MB33	Cabinet	33	34 1/2	24
	Drawer	32 1/2	10 1/2	3/4
Opening Dimensions: 30"W x 17"H				



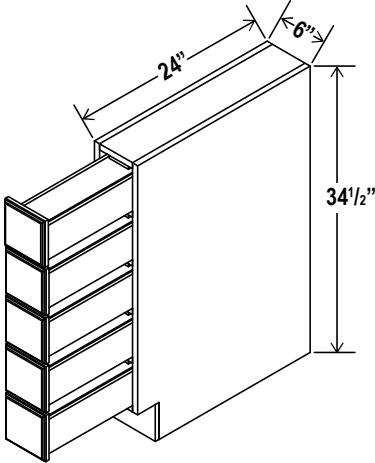
Spice Bull Base Cabinet

Item Code		W	H	D
SPB6	Cabinet	6	34 1/2	24
	Drawer	5 1/2	29	3/4
SPB9	Cabinet	9	34 1/2	24
	Drawer	8 1/2	29	3/4



Shelves are Fixed Assembled (not adjustable)

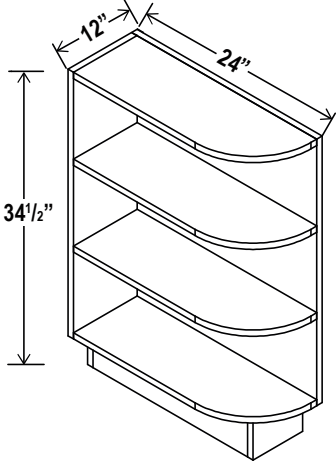
Base Spice Drawer



Item Code		W	H	D
BSDC6	Cabinet	12	34 1/2	24

Natural interior finish

Base End Shelf



Item Code		W	H	D
BES12	Cabinet	12	34 1/2	24

Tall Cabinets Diagram

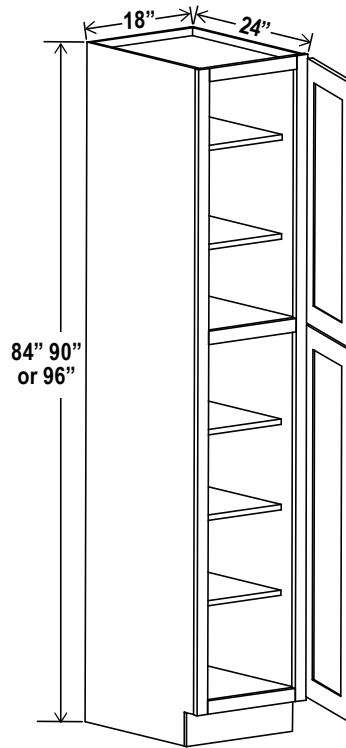
Explore all our SKUs and sizes to find the perfect fit for your needs.



Utility Pantry

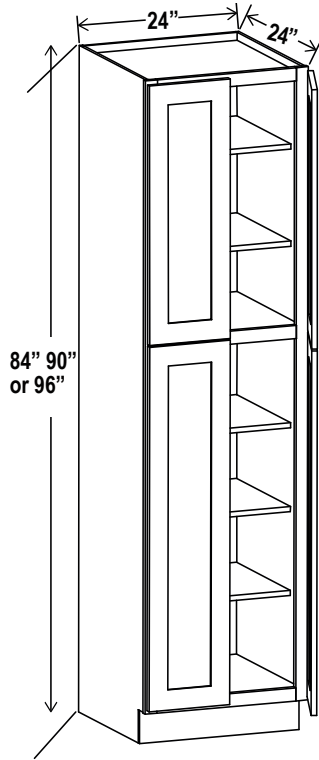
18"W

Item Code		W	H	D
U188424	Cabinet	18	84	24
	Top Door	17 1/2	29	3/4
	Drawer	17 1/2	49 1/4	3/4
U189024	Cabinet	18	90	24
	Top Door	17 1/2	35	3/4
	Drawer	17 1/2	49 1/4	3/4
U189624	Cabinet	18	96	24
	Top Door	17 1/2	41	3/4
	Drawer	17 1/2	49 1/4	3/4



Two doors
 Two adjustable top shelves
 Three bottom shelves
 Note: Roll out shelf kits available

24"W



Utility Pantry

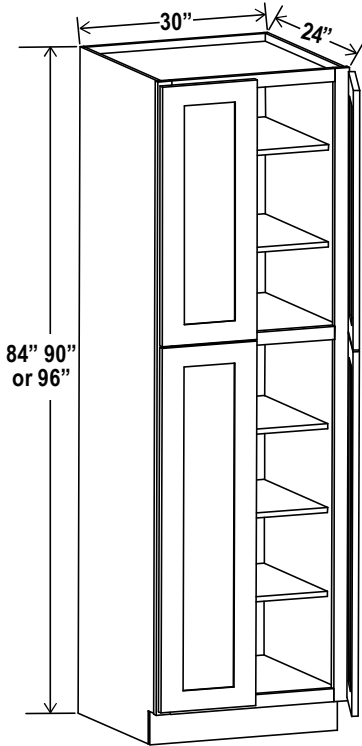
Item Code		W	H	D
U248424	Cabinet	24	84	24
	Top Door	11 3/4	29	3/4
	Drawer	11 3/4	49 1/4	3/4
U249024	Cabinet	24	90	24
	Top Door	11 3/4	35	3/4
	Drawer	11 3/4	49 1/4	3/4
U249624	Cabinet	24	96	24
	Top Door	11 3/4	41	3/4
	Drawer	11 3/4	49 1/4	3/4

Four doors
 Two adjustable top shelves
 Three bottom shelves
 Note: Roll out shelf kits available

Utility Pantry

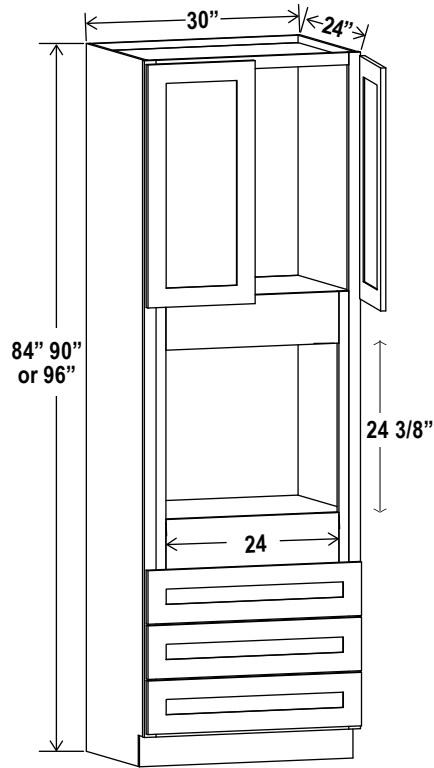
30"W

Item Code		W	H	D
U308424	Cabinet	30	84	24
	Top Door	14 3/4	29	3/4
	Drawer	14 3/4	49 1/4	3/4
U309024	Cabinet	30	90	24
	Top Door	14 3/4	35	3/4
	Drawer	14 3/4	49 1/4	3/4
U309624	Cabinet	30	96	24
	Top Door	14 3/4	41	3/4
	Drawer	14 3/4	49 1/4	3/4



Four doors
 Two adjustable top shelves
 Three bottom shelves
 Note: Roll out shelf kits available

30"W

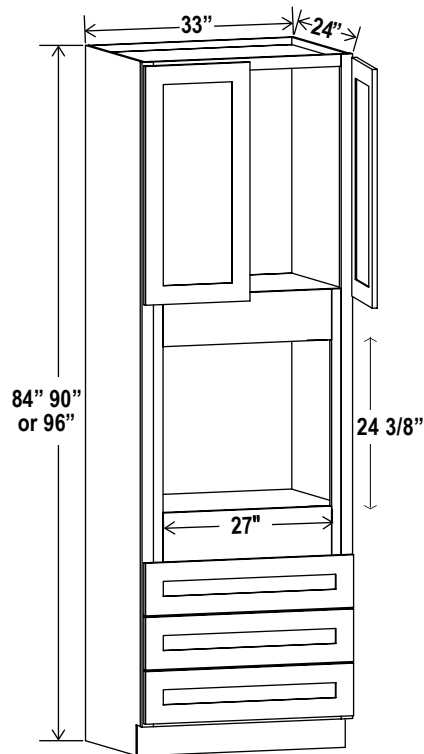


Oven Pantry

Item Code		W	H	D
O308424	Cabinet	30	84	24
	Door	14 3/4	17	3/4
	Drawer	29 1/2	7 3/4	3/4
Opening Dimensions: 24 W x 24 3/8 H				
O309024	Cabinet	30	90	24
	Door	14 3/4	23	3/4
	Drawer	29 1/2	7 3/4	3/4
Opening Dimensions: 24 W x 24 3/8 H				
O309624	Cabinet	30	96	24
	Door	14 3/4	29	3/4
	Drawer	29 1/2	7 3/4	3/4
Opening Dimensions: 24 W x 24 3/8 H				

Two doors
 One large open shelf
 Three bottom drawers
 Note: Drawers may be removed to accommodate double ovens

33"W



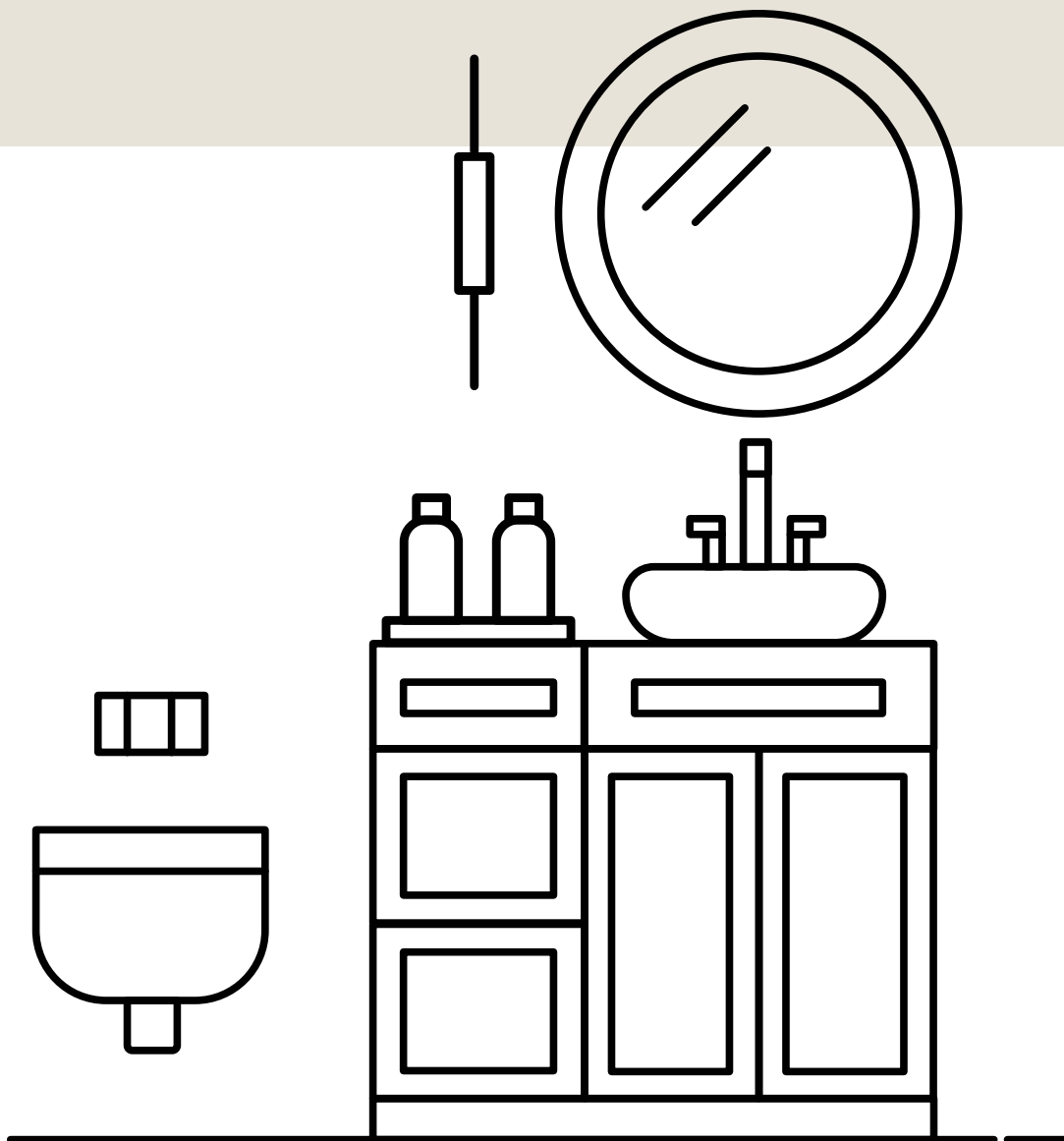
Oven Pantry

Item Code		W	H	D
O338424	Cabinet	33	84	24
	Door	16 1/4	17	3/4
	Drawer	32 1/2	7 3/4	3/4
Opening Dimensions: 27 W x 24 3/8 H				
O339024	Cabinet	33	90	24
	Door	16 1/4	23	3/4
	Drawer	32 1/2	7 3/4	3/4
Opening Dimensions: 27 W x 24 3/8 H				
O339624	Cabinet	33	96	24
	Door	16 1/4	29	3/4
	Drawer	32 1/2	7 3/4	3/4
Opening Dimensions: 27 W x 24 3/8 H				

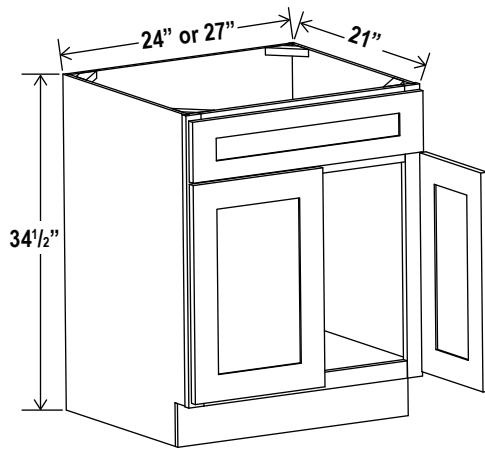
Two doors
 One large open shelf
 Three bottom drawers
 Note: Drawers may be removed to accommodate double ovens.

Vanity Cabinets Diagram

Explore all our SKUs and sizes to find the perfect fit for your needs.



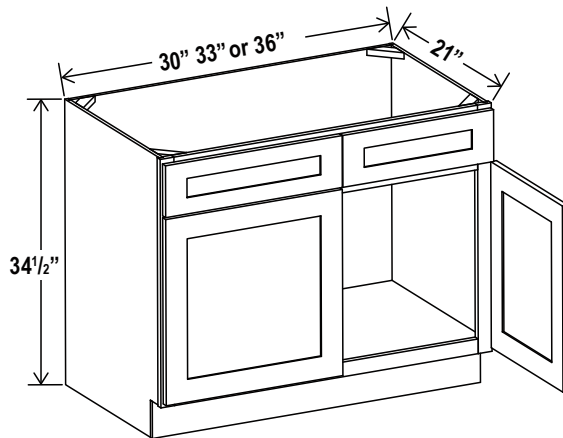
Vanity Sink Base



Item Code		W	H	D
VS24	Cabinet	24	34 1/2	21
	Door	11 3/4	22 1/2	3/4
	Drawer	23 1/4	6 1/4	3/4
VS27	Cabinet	27	34 1/2	21
	Door	13 1/4	22 1/3	3/4
	Drawer	26 1/2	6 1/4	3/4

One dummy drawer

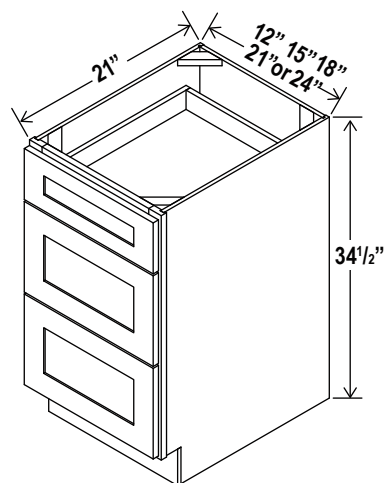
Vanity Sink Base



Item Code		W	H	D
VS30	Cabinet	30	34 1/2	21
	Door	14 3/4	22 1/2	3/4
	Drawer	14 3/4	6 1/4	3/4
VS33	Cabinet	33	34 1/2	21
	Door	16 1/4	22 1/2	3/4
	Drawer	16 1/4	6 1/4	3/4
VS36	Cabinet	36	34 1/2	21
	Door	17 3/4	22 1/2	3/4
	Drawer	17 3/4	6 1/4	3/4

Two dummy drawers

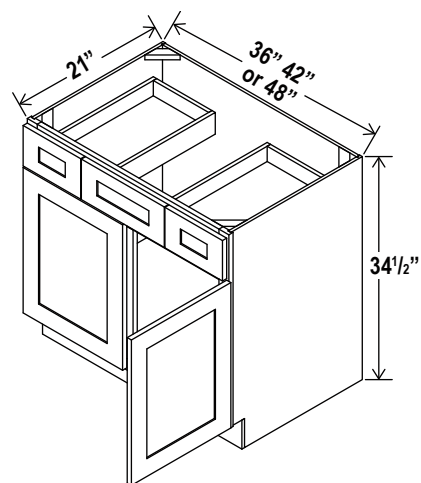
Vanity Drawer Base Cabinet



Item Code		W	H	D
3VDB12	Cabinet	12	34 1/2	21
	Top Drawer	11 1/2	6 1/4	3/4
	Bottom Drawer	11 1/2	11 1/8	3/4
3VDB15	Cabinet	15	34 1/2	21
	Top Drawer	14 1/2	6 1/4	3/4
	Bottom Drawer	14 1/2	11 1/8	3/4
3VDB18	Cabinet	18	34 1/2	21
	Top Drawer	17 1/2	6 1/4	3/4
	Bottom Drawer	17 1/2	11 1/8	3/4
3VDB21	Cabinet	21	34 1/2	21
	Top Drawer	20 1/2	6 1/4	3/4
	Bottom Drawer	20 1/2	11 1/8	3/4
3VDB24	Cabinet	24	34 1/2	21
	Top Drawer	23 1/2	6 1/4	3/4
	Bottom Drawer	23 1/2	11 1/8	3/4

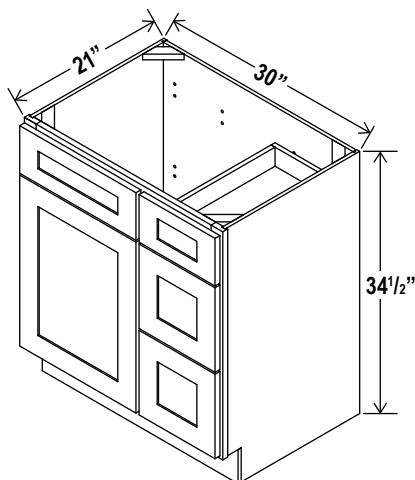
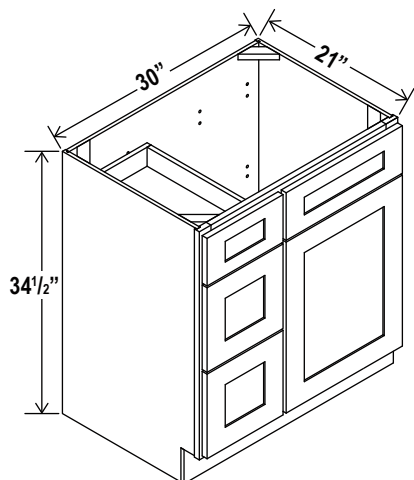
Vanity Combo

Item Code		W	H	D
VSD36	Cabinet	36	34 1/2	21
	Door	17 3/4	22 1/2	3/4
	Outside Drawer	10 1/4	6 1/4	3/4
	Center Drawer	14 1/2	6 1/4	3/4
VSD42	Cabinet	42	34 1/2	21
	Door	20 3/4	22 1/2	3/4
	Outside Drawer	11 1/2	6 1/4	3/4
	Center Drawer	18	6 1/4	3/4
VSD48	Cabinet	48	34 1/2	21
	Door	23 3/4	22 1/2	3/4
	Outside Drawer	14 1/2	6 1/4	3/4
	Center Drawer	18	6 1/4	3/4



Vanity Combo

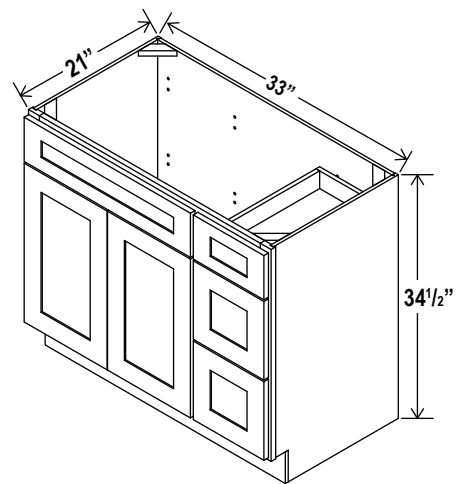
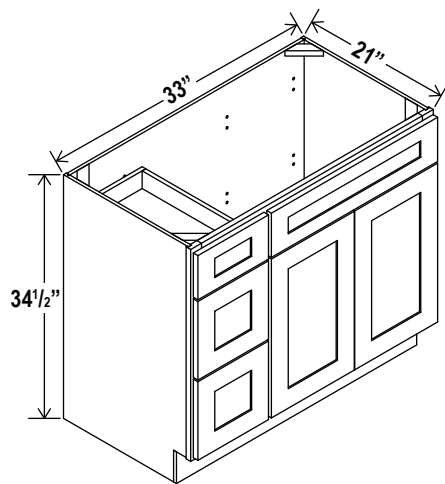
Item Code		W	H	D
V3021DL	Cabinet	30	34 1/2	21
	Door	17 1/2	22 1/2	3/4
	Long Drawer	17 1/2	6 1/4	3/4
	Top Drawer	11 1/2	6 1/4	3/4
	Bottom Drawer	11 1/2	11 1/8	3/4
V3021DR	Cabinet	30	34 1/2	21
	Door	17 1/2	22 1/2	3/4
	Long Drawer	17 1/2	6 1/4	3/4
	Top Drawer	11 1/2	6 1/4	3/4
	Bottom Drawer	11 1/2	11 1/8	3/4



V3021 DL: 30" combo with drawers on left
 V3021 DR: 30" combo with drawers on right

Vanity Combo

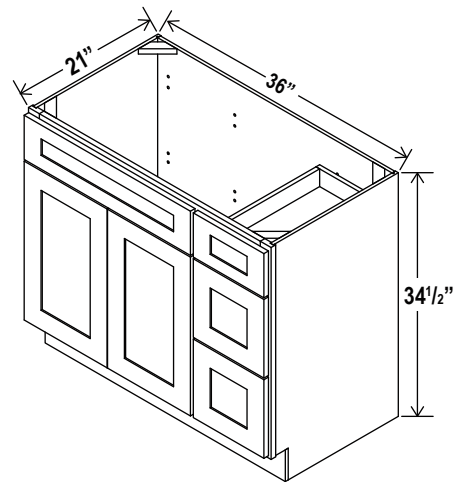
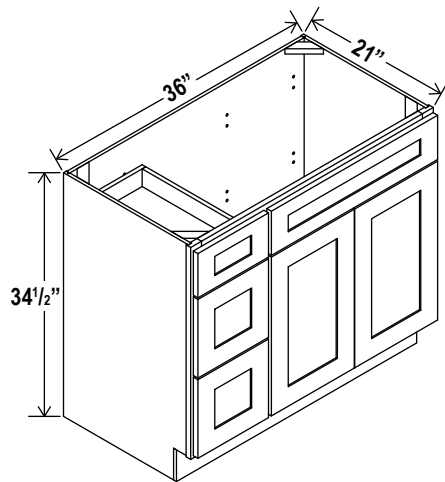
Item Code		W	H	D
V3321DL	Cabinet	33	34 1/2	21
	Door	20 1/2	22 1/2	3/4
	Long Drawer	20 1/2	6 1/4	3/4
	Top Drawer	11 3/4	6 1/4	3/4
	Bottom Drawer	11 3/4	11 1/8	3/4
V3321DR	Cabinet	33	34 1/2	21
	Door	20 1/2	22 1/2	3/4
	Long Drawer	20 1/2	6 1/4	3/4
	Top Drawer	11 3/4	6 1/4	3/4
	Bottom Drawer	11 3/4	11 1/8	3/4



V3321 DL: 33" combo with drawers on left
 V3321 DR: 33" combo with drawers on right

Vanity Combo

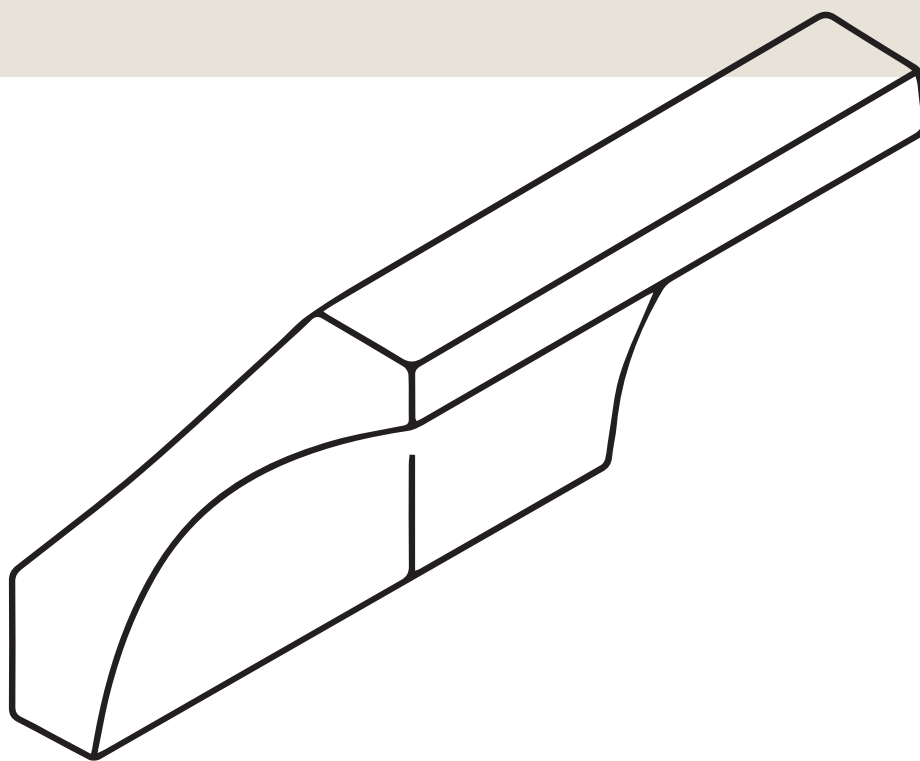
Item Code		W	H	D
V3621DL	Cabinet	36	34 1/2	21
	Door	11 3/4	22 1/2	3/4
	Long Drawer	23 1/2	6 1/4	3/4
	Top Drawer	11 1/2	6 1/4	3/4
	Bottom Drawer	11 1/2	11 1/8	3/4
V3621DR	Cabinet	36	34 1/2	21
	Door	11 3/4	22 1/2	3/4
	Long Drawer	23 1/2	6 1/4	3/4
	Top Drawer	11 1/2	6 1/4	3/4
	Bottom Drawer	11 1/2	11 1/8	3/4



V3621 DL: 36" combo with drawers on left
 V3621 DR: 36" combo with drawers on right

Accessories & Molding

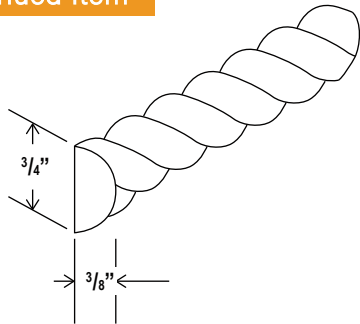
Explore all our SKUs and sizes to
find the perfect fit for your needs.



Rope Moulding

Item Code	L
ROPE	96

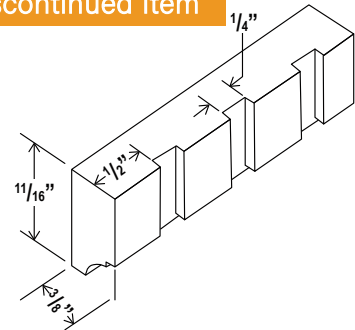
Discontinued Item



Dentil Moulding

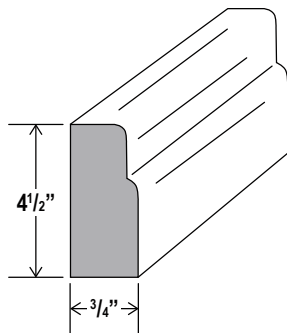
Item Code	L
DMTIS	96

Discontinued Item



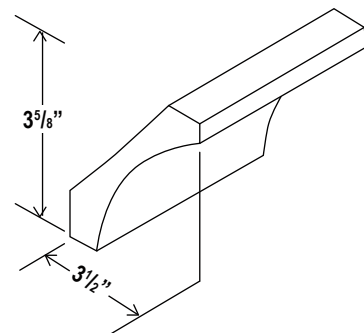
Furniture Base

Item Code	L
FBM	96



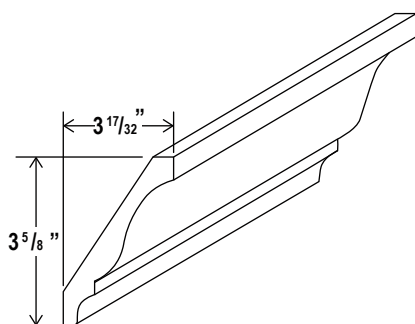
Cove Crown Moulding

Item Code	L
COV	96



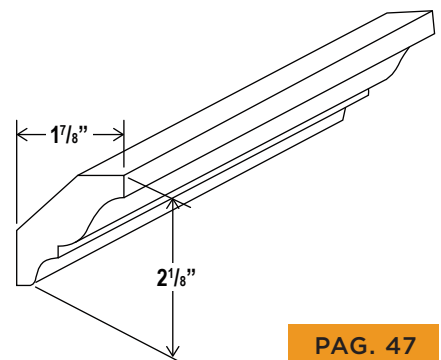
Decorative Moulding

Item Code	L
BCM8(DCM)	96



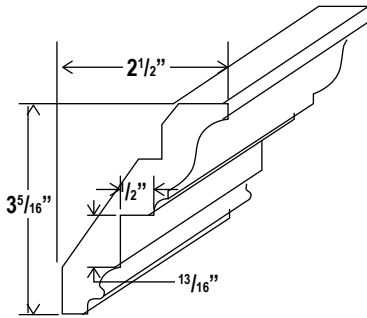
Crown Moulding

Item Code	L
CM8	96



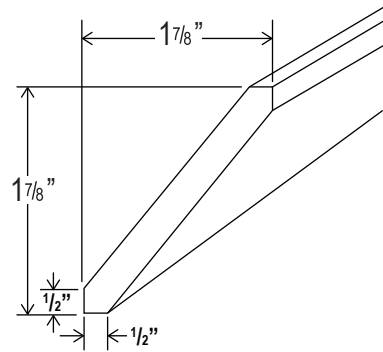
Inset Crown Moulding

Item Code	L
RCM4S(LCM)	96



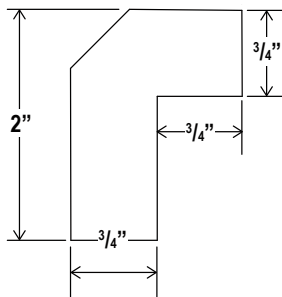
Angle Crown Moulding

Item Code	L
ACM8	96



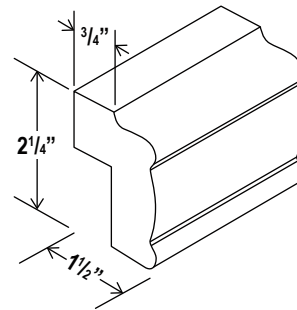
Angle Light Rail Moulding

Item Code	L
ALRM8	96



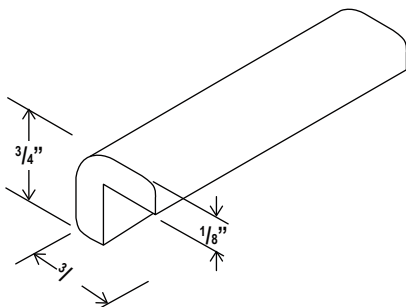
Light Rail Moulding

Item Code	L
LRM8	96



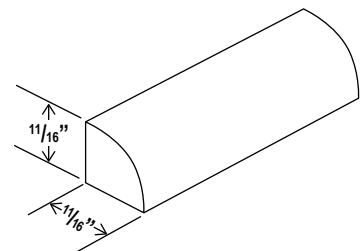
Outside Corner Moulding

Item Code	L
OCM8	96



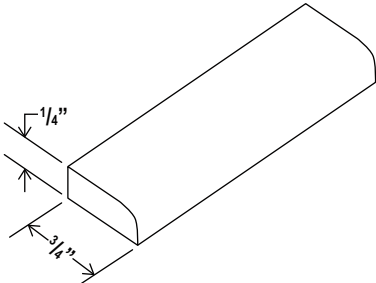
Shoe Moulding

Item Code	L
SHM	96



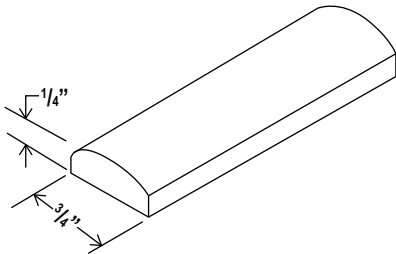
Scribe Moulding

Item Code	L
SM8(SCR)	96



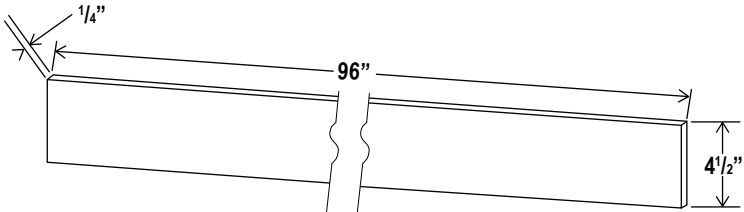
Batten Moulding

Item Code	L
BAM	96



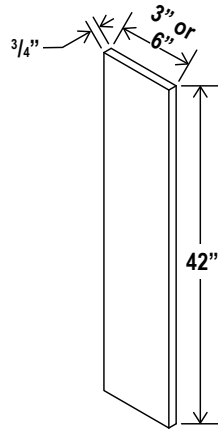
Toe Kick

Item Code	L
TKC	96



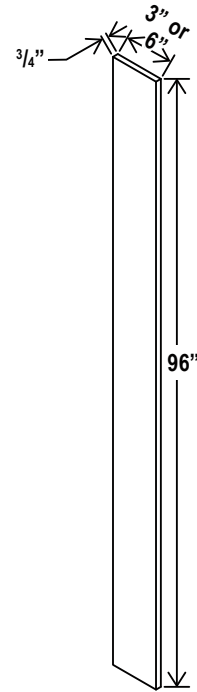
Filler

Item Code	L
F342	42
F642	42



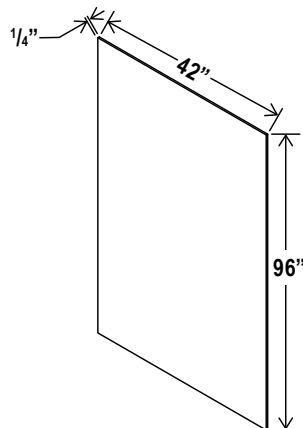
Tall Filler

Item Code	L
F396	96
F696	96



Finish Plywood Panel

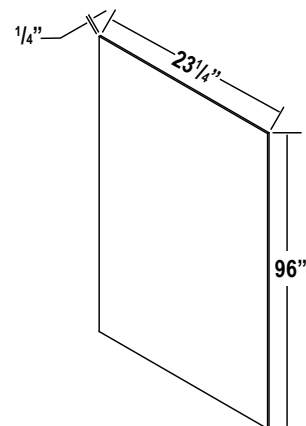
Item Code	L
FPV4296	96



Note: Edges are not finished

Tall Skin Veneer Panel

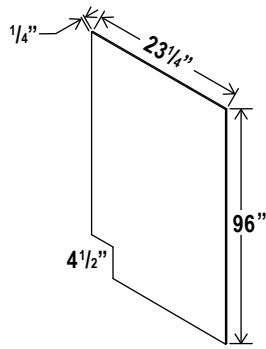
Item Code	L
USV2496	96



Note: Edges are not finished

Tall Skin Veneer Panel

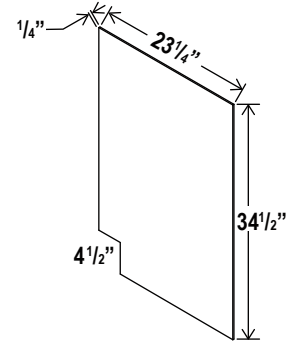
Item Code	L
USV2496	96



Note: *Edges are not finished*
 Available in the Double Shaker
 and Charm collections, **excluding NB**

Base Skin Veneer Panel

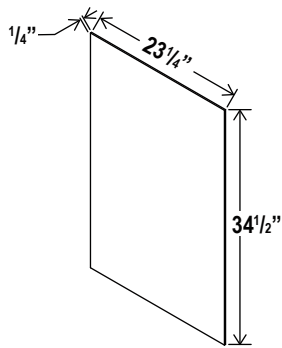
Item Code	L
BSV	34 1/2



Note: *Edges are not finished*
 Available in the Double Shaker
 and Charm collections, **excluding NB**

Base Skin Veneer Panel

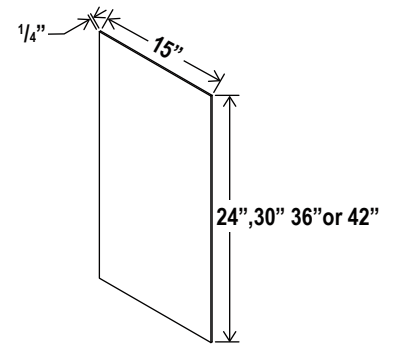
Item Code	L
BSV	34 1/2



Note: *Edges are not finished*

Wall Skin Panel

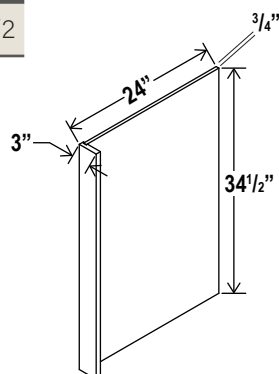
Item Code	L
WSV24	24
WSV30	30
WSV36	36
WSV42	42



Note: *Edges are not finished*

Dishwasher Return Panel

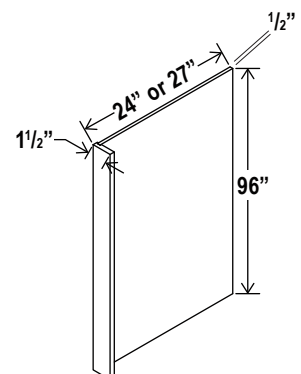
Item Code	L
DWR3	34 1/2



Note: *Edges are not finished*

Refrigerator End Panel

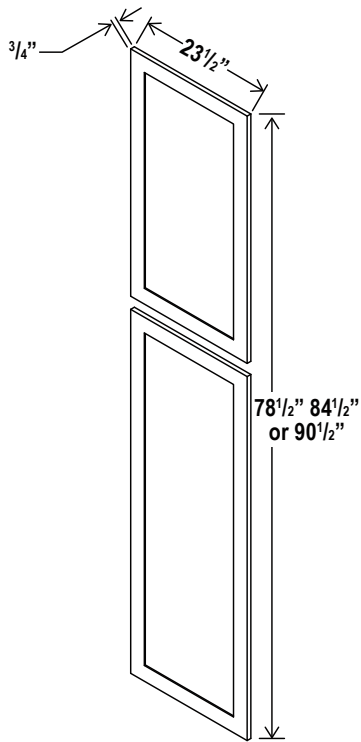
Item Code	L
REPV2496	96
REPV2796	96



Note: *Edges are not finished*

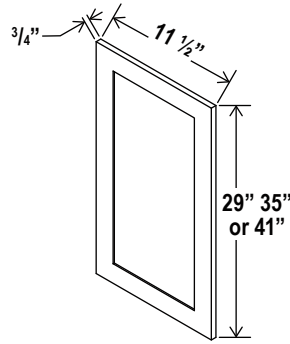
Tall Decorative Door Panel

Item Code	L
TDEP2484	78 1/2
TDEP2490	84 1/2
TDEP2496	90 1/2



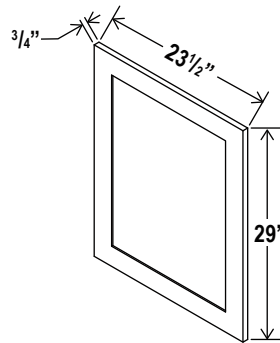
Wall Decorative Door Panel

Item Code	L
WDEP30	29
WDEP36	35
WDEP42	41



Base Decorative Door Panel

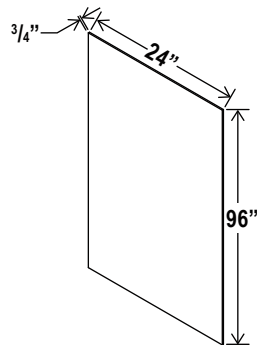
Item Code	L
BDEP	29



Shelf Board

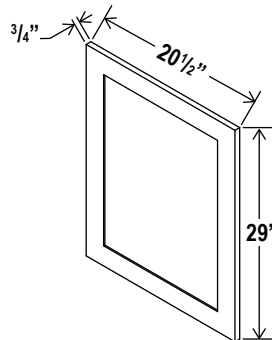
Item Code	L
S2496	96

Banded on both edges
 Finished on all 4 sides
 Color to match cabinet



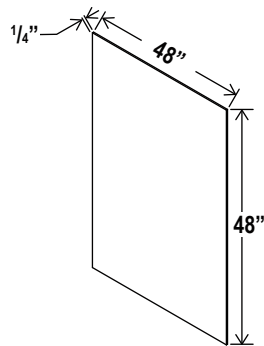
Vanity Decorative Door Panel

Item Code	L
VDEP	29



Skin Panel - Interior

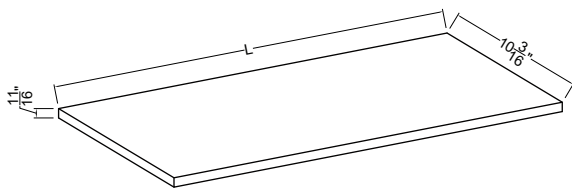
Item Code	W	H	D
Skin Panel - Interior	48	48	1/4



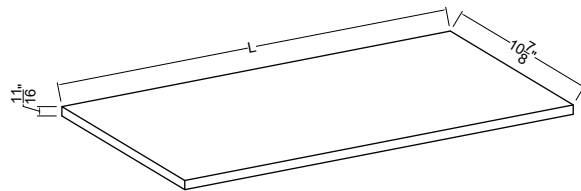
Natural color finish that matches the interior.

Shelf Board

Item Code	W
Shelf Board W	36
Shelf Board B	48



Shelf Interior W

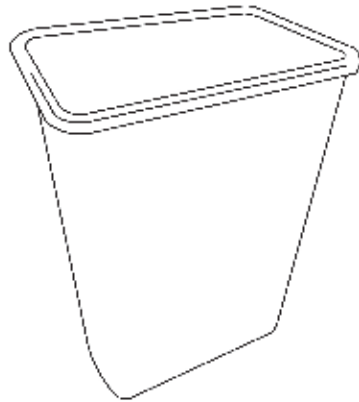


Shelf Interior B

Natural color finish that matches the interior.

Trash Bin
Item Code

Trash Bin

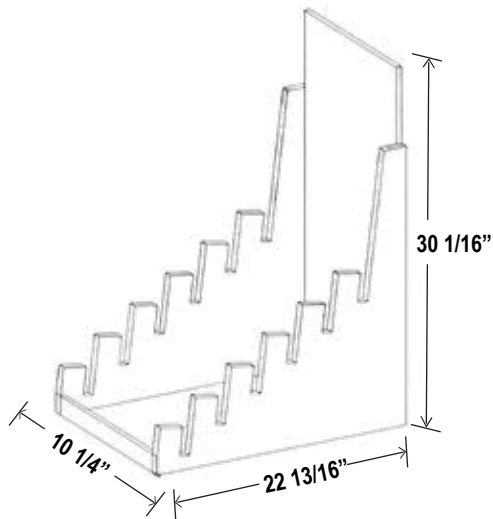


35-Quart Trash Can (8.75 Gallons)

Sample Door - Display

Item Code

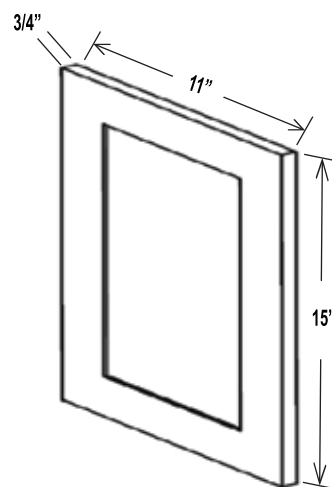
Sample Door - Display



Sample Door

Item Code

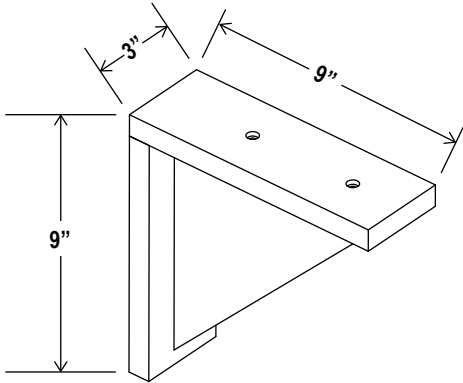
SD



Corbel

Item Code

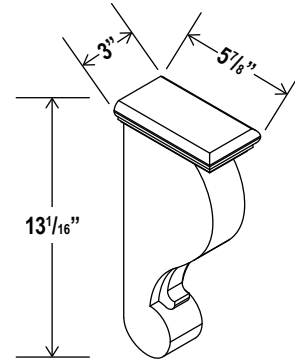
CB9



Corbel

Item Code

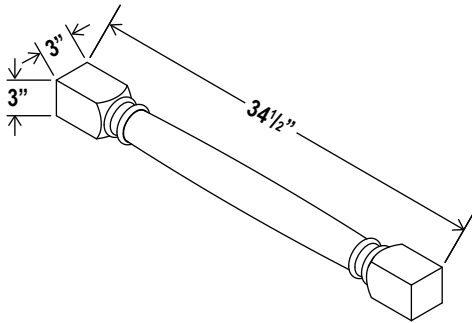
CBT



Classic Decorative Leg

Item Code

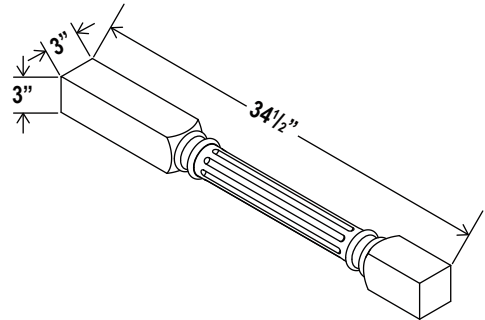
CLDL



Fluted Decorative Leg

Item Code

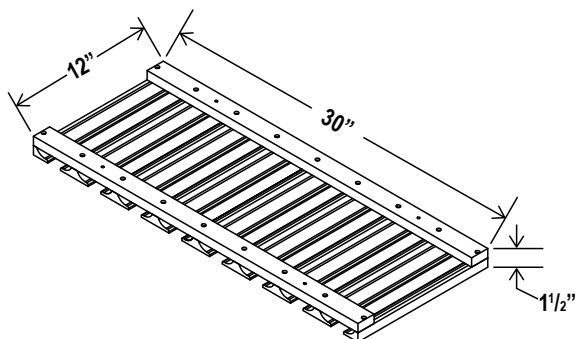
FLDL



Glass Holder

Item Code

SGH30

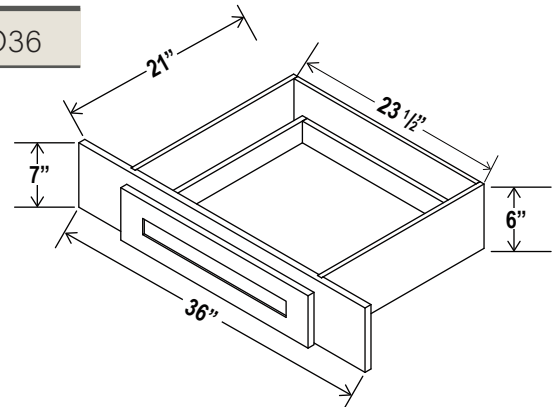


Knee Drawer

Item Code

VKD36

Max trim to 30"
Interior Drawer Dimensions
3 1/2 x 18 1/4 x 20 1/4



Arched Valance

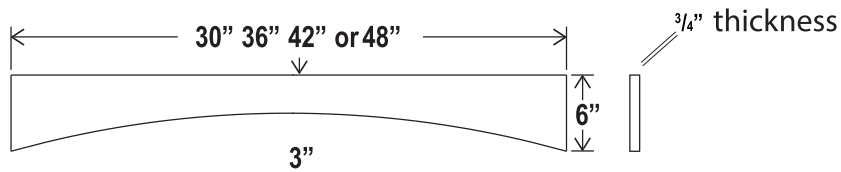
Item Code

VA30

VA36

VA42

VA48



Roll Out Tray

Item Code

RS18

RS21

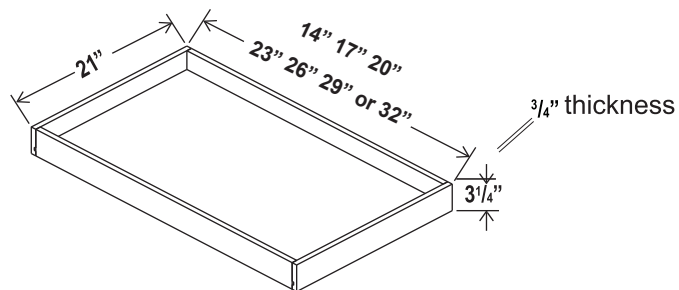
RS24

RS27

RS30

RS33

RS36



*Note: Natural finish. Side mount only.
Full-extension, not self-closing*

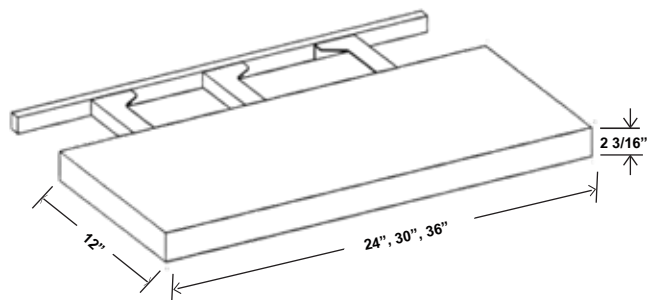
Floating Shelf

Item Code | L

FS24 | 24

FS30 | 30

FS36 | 36



Warranty

12 months

LIMITED TIME WARRANTY

Sunshine Home Material warrants to the original consumer purchases that Sunshine Home Material cabinets, door hinges, and drawer glides will be free from defects in material and workmanship under normal use and service for twelve months (Proof of Purchase is required). This warranty is not transferable and only applicable to product used for residential purposes. Representatives of Sunshine Home Material do not have the authority to change or enlarge this warranty.

Sunshine Home Material, at our option, may elect to repair or replace with a functionally equivalent Sunshine product covered by this warranty. Some replacement parts are subject to availability and may differ from original parts received. Return of defective product may be required for a replacement to be issued. Repair parts or replacement parts are at the expense of Sunshine Home Material, but the customer shall bear all other expenses. These expenses may include, but are not limited to, cost of removal and re-installation of product, labor expenses, etc.

This warranty is valid only in the United States of America and is not transferable. All implied warranties are limited in duration to the shorter of the period provided by law or the period of this warranty. To the extent permitted by law, this warranty excludes special, incidental, or consequential damages. Some states do not allow the exclusion or limitations of incidental or consequential damages, so if you reside in one of these states, the above limitations or exclusions may not apply to you. This warranty gives you specific legal rights; you may have other rights which vary from state to state. To exercise this warranty, please contact Sunshine Home Material from whom you purchased the material from and be sure to send photos, a description of the defect and name of product effected, and order number for processing. Claim replacements generally take 24-48 hours to be processed and received.

Normal wear and tear, damage or defects caused by accidents, misuse, abuse, lack of necessary maintenance or acts of God; nor does it cover alteration, modification, improper installation, improper handling / storage, environmental conditions, nor any labor expenses.

The variation in color and grain pattern in wood adds to its natural beauty and is not considered an imperfection. Environmental factors, including but not limited to artificial / natural light, moisture, cleaners, smoke, etc., may cause the darkening or mellowing of a cabinet over time. This is a natural process and can be expected. This warranty does not cover the natural aging or darkening / mellowing of wood color, the inherent growth characteristics of, or variation in wood.

Some of the cabinet lines feature a glazed finish which accentuates the door and drawer front profiles. This glaze is hand applied over a stain or paint and may, due to the nature of application, consist of random drips, runs, etc. As glazing is a hand applied process there will be variations in color and appearance from door to door and cabinet to cabinet. This is not considered a defect and is considered normal with hand applied finishes. It is the nature of wood to expand and contract to varying degrees depending on climate conditions. As a result, cabinet lines with painted surfaces may show fractures in the paint at joints. This is normal and is not considered a defect..



General Contact

(407) 704-8117

sales@sunshinehomematerial.com

Spanish & English



2026

Ready To Order For Your Next Project?

Please simply click the following links or paste them in your browser for more information



New Accounts
Application Form

<https://www.sunshinehomematerial.com/general-contractor>
<https://www.sunshinehomematerial.com/register>



See Our Products

<https://www.sunshinehomematerial.com/cabinets>



Visit Our Website

www.sunshinehomematerial.com



(407) 704-8117



3827 WD Judge Dr, Suite 110, Orlando FL 32808



sales@sunshinehomematerial.com



Sunshine Home Material
Cabinetry · Stone · Flooring

Value Quality Factory Direct