



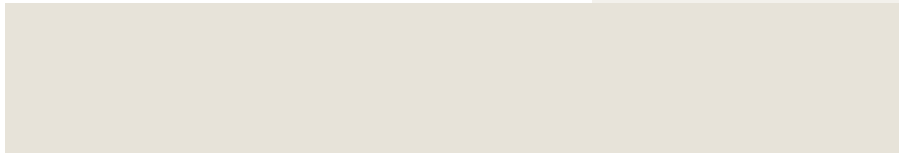
**Sunshine Home Material**  
Cabinetry · Stone · Flooring

Value Quality Factory Direct



SLIM SHAKER **SPEC BOOK**

**2026**

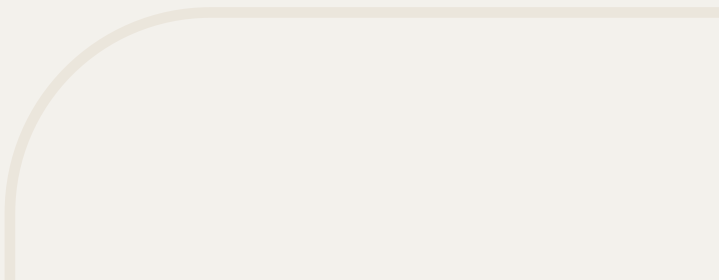


EDITION  
2026



---

[WWW.SUNSHINEHOMEMATERIAL.COM](http://WWW.SUNSHINEHOMEMATERIAL.COM)



# Table of Contents

|           |                                     |           |                               |
|-----------|-------------------------------------|-----------|-------------------------------|
| <b>04</b> | Slim Shaker Collection              | <b>18</b> | Base Cabinet Diagram          |
| <b>05</b> | Cabinet Construction<br>Slim Shaker | <b>25</b> | Tall Cabinet Diagram          |
| <b>06</b> | Cabinet Construction<br>Universal   | <b>28</b> | Vanity Cabinet Diagram        |
| <b>07</b> | How to Order                        | <b>32</b> | Accessories & Molding Diagram |
| <b>08</b> | Wall Cabinet Diagram                | <b>40</b> | Warranty                      |

# Slim Shaker

COLLECTION

*ETA 24-48 Hours on Average*



Model Name:

**SIB - Slim Iron Black**



Model Name:

**SAO - Slim Amber Oak**



Model Name:

**SWO - Slim White Oak**



Model Name:

**SDW - Slim Dove White**



Model Name:

**SAG - Slim Olive Aston Green**

# Cabinet Construction

## Slim Shaker

- Slim White Oak (SWO)
- Slim Dove White (SDW)



- 05** Full overlay five-piece doors and drawer fronts.
- 06** 6 way stainless-steel adjustable door hinges and door bumpers included.
- 07** Solid Wood painted face frame.

- 01**  Solid wood drawer box with dovetail construction.
- 02**  Soft close, undermounted full extension drawer slides.
- 03**  UV-coated natural interiors.
- 04**  1/2" plywood boxes with finished exteriors.

**A** **Door & Drawer Front:** Full overlay, 5-pieces door & drawer, solid wood with MDF center panel.

**B** **Face Frame:** 3/4" solid wood frame

**C** **Cabinet Box:** 1/2" cabinet grade plywood box.

**D** **Drawer Box:** Solid wood, dovertail construction, 3 1/8 depth

**E** **Drawer Glides:** Concealed undermount full extension glides with soft-close feature.

**F** **Hinges:** 6-way adjustable with soft-close feature

**G** **Exterior Finish:** Matching color exterior.

**H** **Interior Finish:** Clear UV coated natural plywood.

**I** **Shelves:** 3/4" thick plywood with front edge banding.

**J** **Accessories:** Door bumper, metal shelf pin, metal clips, L bracket for base cabinet.

**K** **Package:** One box per cabinet.




**L** **Certification:** TSCA VI, KCMA, CARB2, NGBS Green.

# Cabinet Construction Universal Box

▪ All Other Styles



- 05** Shelf 3/4" thick plywood with front edge banding.
- 06** Full overlay, 5-pieces door & drawer, solid wood with MDF center panel.
- 07** 6-way adjustable with soft-close feature
- 08** 3/4" solid wood frame.

- 01**  Solid wood, dovetail construction, 3 1/8" depth.
- 02**  Concealed undermount full extensions glides with soft-close feature.
- 03**  Interior and Exterior: Clear UV coated natural plywood.
- 04**  1/2" cabinet grade plywood box.

**A** **Door & Drawer Front:** Full overlay, 5-pieces door & drawer, solid wood with MDF center panel.

**B** **Face Frame:** 3/4" solid wood frame

**C** **Cabinet Box:** 1/2" cabinet grade plywood box.

**D** **Drawer Box:** Solid wood, dovertail construction, 3 1/8" depth

**E** **Drawer Glides:** Concealed undermount full extension glides with soft-close feature.

**F** **Hinges:** 6-way adjustable with soft-close feature

**G** **Exterior Finish:** Clear UV coated natural plywood.  
Need to add BSV, WSV, USV for the expose part.

**H** **Interior and Exterior Finish:** Clear UV coated

**I** **Shelves:** 3/4" thick plywood with front edge banding.

**J** **Accessories:** Door bumper, metal shelf pin, metal clips, L bracket for base cabinet.

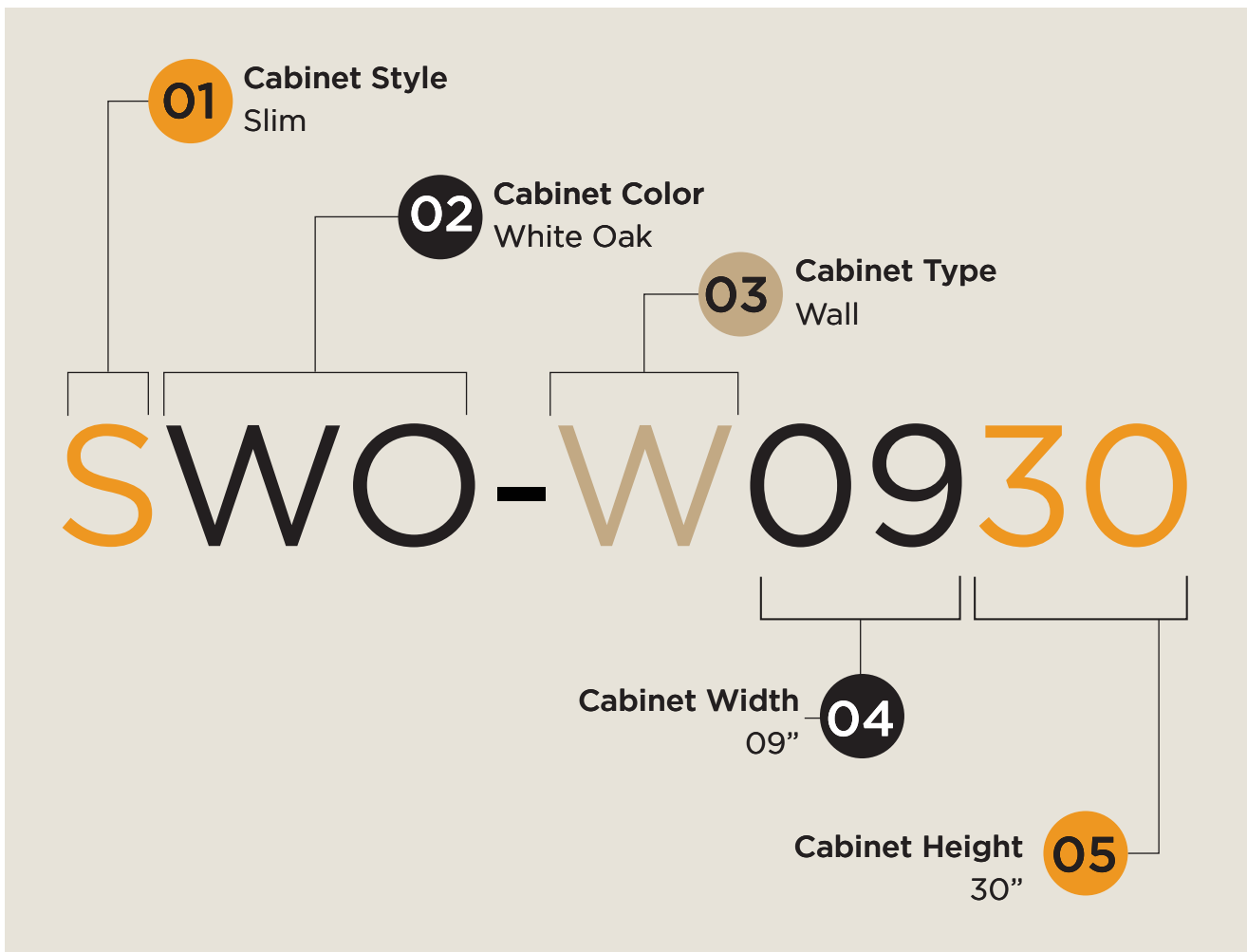
**K** **Package:** 2 packages, universal box & front set.

**L** **Certification:** TSCA VI, KCMA, CARB2, NGBS Green.

# How To Order

**To Order:**

Specify the 3-letter door style, followed by the product number for the cabinet.



**Example Below:**

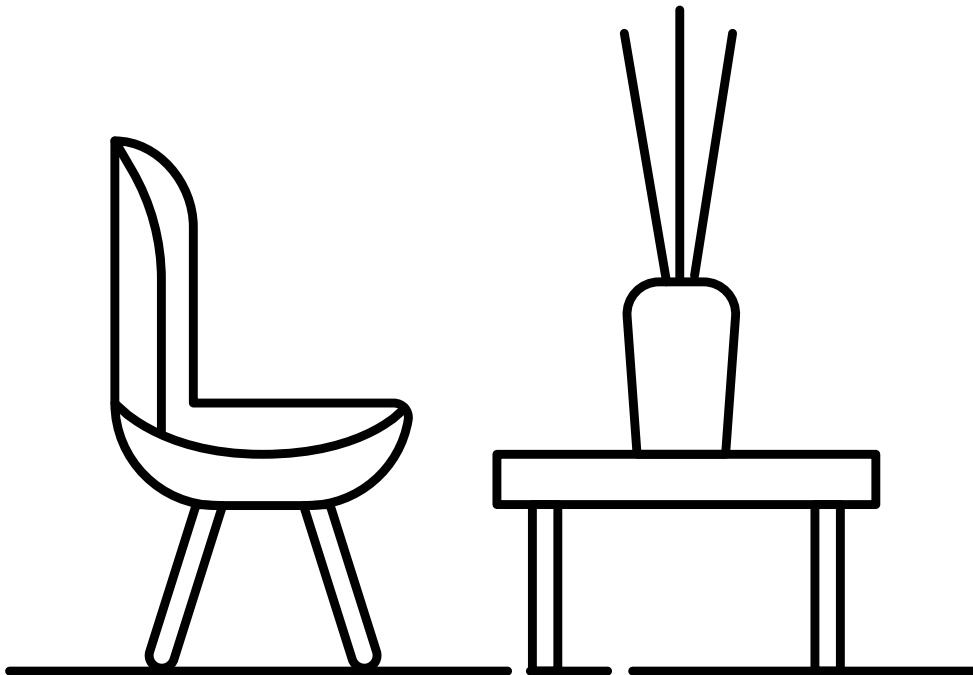
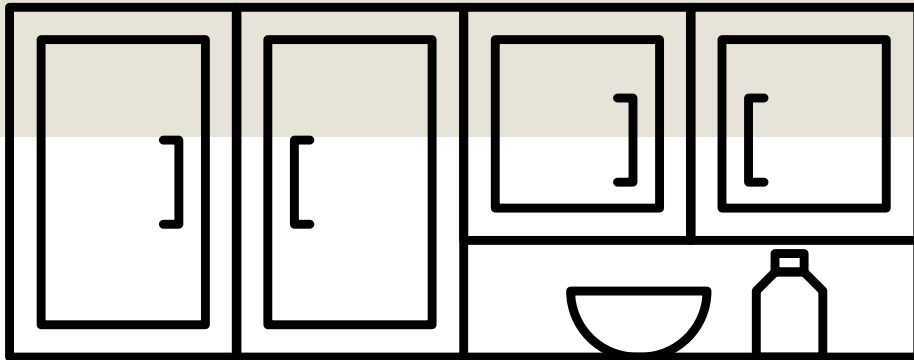
SWO-W0930 would be the product number used to order a Shaker White Oak (SWO) Wall Cabinet, 09"

EDITION

2026

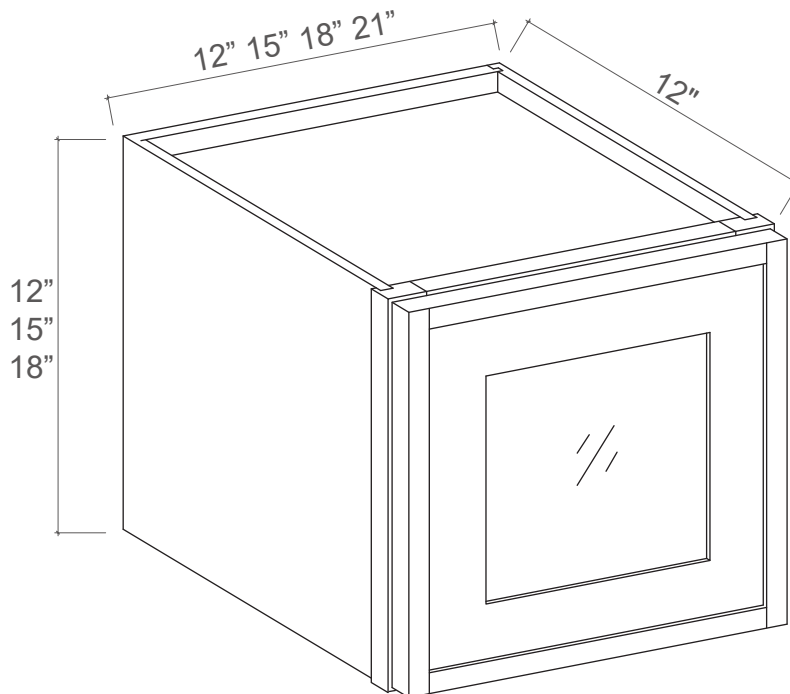
# Wall Cabinets Diagram

Explore all our SKUs and sizes to  
find the perfect fit for your needs.



# Wall Cabinet Single Glass Door

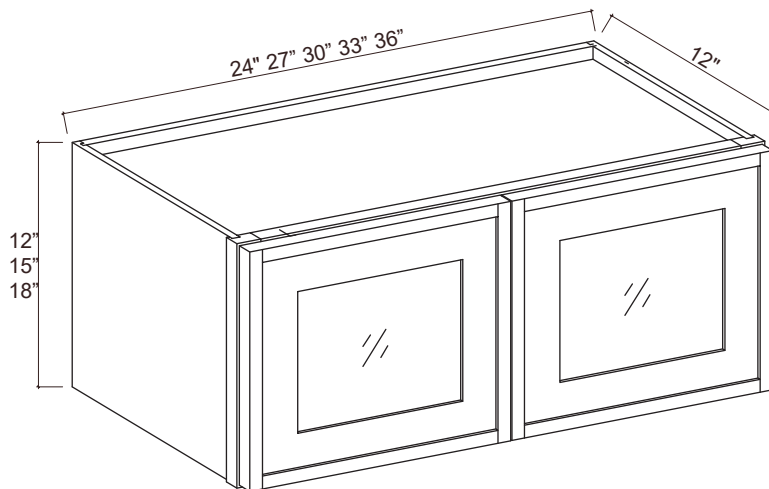
| Item Code |         | W      | H      | D   |
|-----------|---------|--------|--------|-----|
| W1212GD   | Cabinet | 12     | 12     | 12  |
|           | Door    | 11 1/2 | 11 3/4 | 3/4 |
| W1215GD   | Cabinet | 12     | 15     | 12  |
|           | Door    | 11 1/2 | 14 3/4 | 3/4 |
| W1218GD   | Cabinet | 12     | 18     | 12  |
|           | Door    | 11 1/2 | 17 3/4 | 3/4 |
| W1512GD   | Cabinet | 15     | 12     | 12  |
|           | Door    | 14 1/2 | 11 3/4 | 3/4 |
| W1515GD   | Cabinet | 15     | 15     | 12  |
|           | Door    | 14 1/2 | 14 3/4 | 3/4 |
| W1518GD   | Cabinet | 15     | 18     | 12  |
|           | Door    | 14 1/2 | 17 3/4 | 3/4 |
| W1812GD   | Cabinet | 18     | 12     | 12  |
|           | Door    | 17 1/2 | 11 3/4 | 3/4 |
| W1815GD   | Cabinet | 18     | 15     | 12  |
|           | Door    | 17 1/2 | 14 3/4 | 3/4 |
| W1818GD   | Cabinet | 18     | 18     | 12  |
|           | Door    | 17 1/2 | 17 3/4 | 3/4 |
| W2112GD   | Cabinet | 21     | 12     | 12  |
|           | Door    | 20 1/2 | 11 3/4 | 3/4 |
| W2115GD   | Cabinet | 21     | 15     | 12  |
|           | Door    | 20 1/2 | 14 3/4 | 3/4 |
| W2118GD   | Cabinet | 21     | 18     | 12  |
|           | Door    | 20 1/2 | 17 3/4 | 3/4 |



Clear glass & color matched interior- SWO and SDW  
 Frosted glass & natural interior - SAG

# Wall Cabinet Double Glass Doors

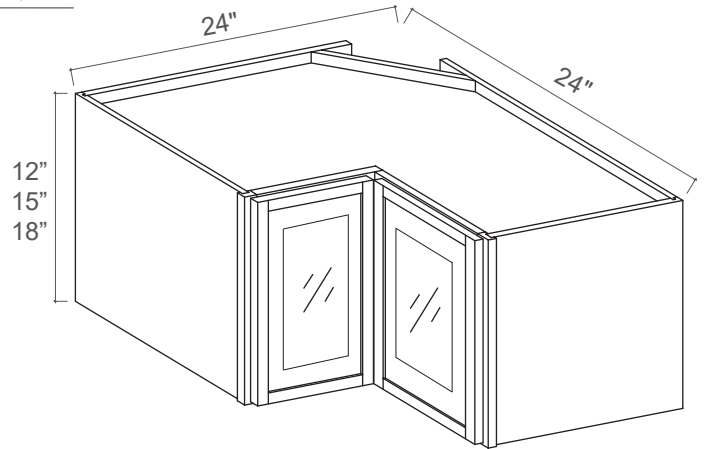
| Item Code |         | W      | H      | D   |
|-----------|---------|--------|--------|-----|
| W2412GD   | Cabinet | 24     | 12     | 12  |
|           | Door    | 11 3/4 | 11 3/4 | 3/4 |
| W2415GD   | Cabinet | 24     | 15     | 12  |
|           | Door    | 11 3/4 | 14 3/4 | 3/4 |
| W2418GD   | Cabinet | 24     | 18     | 12  |
|           | Door    | 11 3/4 | 17 3/4 | 3/4 |
| W2712GD   | Cabinet | 27     | 12     | 12  |
|           | Door    | 13 1/4 | 11 3/4 | 3/4 |
| W2715GD   | Cabinet | 27     | 15     | 12  |
|           | Door    | 13 1/4 | 14 3/4 | 3/4 |
| W2718GD   | Cabinet | 27     | 18     | 12  |
|           | Door    | 13 1/4 | 17 3/4 | 3/4 |
| W3012GD   | Cabinet | 30     | 12     | 12  |
|           | Door    | 14 3/4 | 11 3/4 | 3/4 |
| W3015GD   | Cabinet | 30     | 15     | 12  |
|           | Door    | 14 3/4 | 14 3/4 | 3/4 |
| W3018GD   | Cabinet | 30     | 18     | 12  |
|           | Door    | 14 3/4 | 17 3/4 | 3/4 |
| W3312GD   | Cabinet | 33     | 12     | 12  |
|           | Door    | 16 1/4 | 11 3/4 | 3/4 |
| W3315GD   | Cabinet | 33     | 15     | 12  |
|           | Door    | 16 1/4 | 14 3/4 | 3/4 |
| W3318GD   | Cabinet | 33     | 18     | 12  |
|           | Door    | 16 1/4 | 17 3/4 | 3/4 |
| W3612GD   | Cabinet | 36     | 12     | 12  |
|           | Door    | 17 3/4 | 11 3/4 | 3/4 |
| W3615GD   | Cabinet | 36     | 15     | 12  |
|           | Door    | 17 3/4 | 14 3/4 | 3/4 |
| W3618GD   | Cabinet | 36     | 18     | 12  |
|           | Door    | 17 3/4 | 17 3/4 | 3/4 |



Clear glass & color matched interior- SWO and SDW  
 Frosted glass & natural interior - SAG

## Easy Reach Wall Glass Door Cabinet

| Item Code |         | W      | H      | D   |
|-----------|---------|--------|--------|-----|
| WER2412GD | Cabinet | 24     | 12     | 12  |
|           | Door    | 10 3/4 | 11 3/4 | 3/4 |
| WER2415GD | Cabinet | 24     | 15     | 12  |
|           | Door    | 10 3/4 | 14 3/4 | 3/4 |
| WER2418GD | Cabinet | 24     | 18     | 12  |
|           | Door    | 10 3/4 | 17 3/4 | 3/4 |



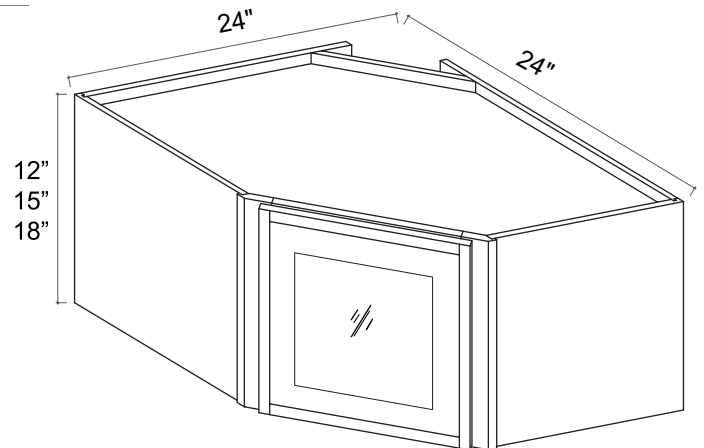
Clear glass & color matched interior- SWO and SDW

Frosted glass & natural interior - SAG

No Shelf

## Wall Diagonal Glass Door Corner Cabinet

| Item Code |         | W      | H      | D   |
|-----------|---------|--------|--------|-----|
| DCW2412GD | Cabinet | 24     | 12     | 12  |
|           | Door    | 15 1/4 | 11 3/4 | 3/4 |
| DCW2415GD | Cabinet | 24     | 15     | 12  |
|           | Door    | 15 1/4 | 14 3/4 | 3/4 |
| DCW2418GD | Cabinet | 24     | 18     | 12  |
|           | Door    | 15 1/4 | 17 3/4 | 3/4 |



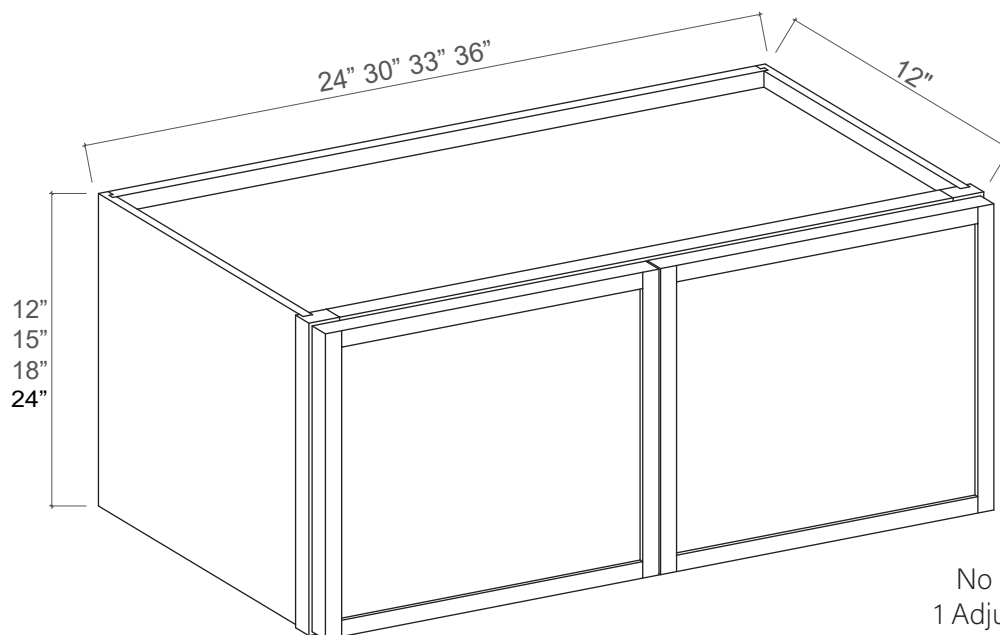
Clear glass & color matched interior- SWO and SDW

Frosted glass & natural interior - SAG

No Shelf

# Wall Cabinet Double Doors

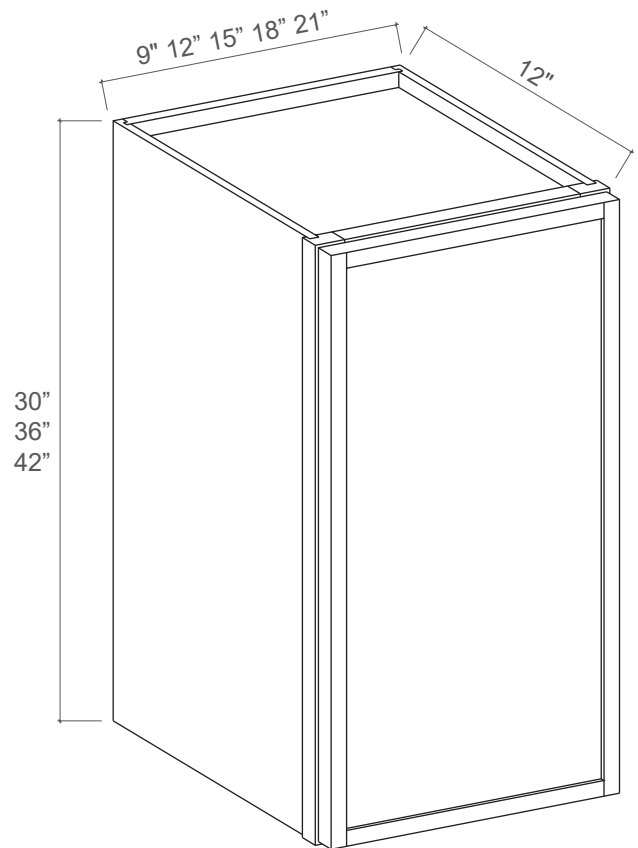
| Item Code |         | W      | H      | D   |
|-----------|---------|--------|--------|-----|
| W2418     | Cabinet | 24     | 18     | 12  |
|           | Door    | 11 3/4 | 17 3/4 | 3/4 |
| W3012     | Cabinet | 30     | 12     | 12  |
|           | Door    | 14 3/4 | 11 3/4 | 3/4 |
| W3015     | Cabinet | 30     | 15     | 12  |
|           | Door    | 14 3/4 | 14 3/4 | 3/4 |
| W3018     | Cabinet | 30     | 18     | 12  |
|           | Door    | 14 3/4 | 17 3/4 | 3/4 |
| W3024     | Cabinet | 30     | 24     | 12  |
|           | Door    | 14 3/4 | 23 3/4 | 3/4 |
| W3312     | Cabinet | 33     | 12     | 12  |
|           | Door    | 16 1/4 | 11 3/4 | 3/4 |
| W3315     | Cabinet | 33     | 15     | 12  |
|           | Door    | 16 1/4 | 14 3/4 | 3/4 |
| W3318     | Cabinet | 33     | 18     | 12  |
|           | Door    | 16 1/4 | 17 3/4 | 3/4 |
| W3324     | Cabinet | 33     | 24     | 12  |
|           | Door    | 16 1/4 | 23 3/4 | 3/4 |
| W3612     | Cabinet | 36     | 12     | 12  |
|           | Door    | 17 3/4 | 11 3/4 | 3/4 |
| W3615     | Cabinet | 36     | 15     | 12  |
|           | Door    | 17 3/4 | 14 3/4 | 3/4 |
| W3618     | Cabinet | 36     | 18     | 12  |
|           | Door    | 17 3/4 | 17 3/4 | 3/4 |
| W3624     | Cabinet | 36     | 24     | 12  |
|           | Door    | 17 3/4 | 23 3/4 | 3/4 |



No Shelf (12", 15", 18")  
 1 Adjustable Shelf (24")

# Wall Cabinet Single Door

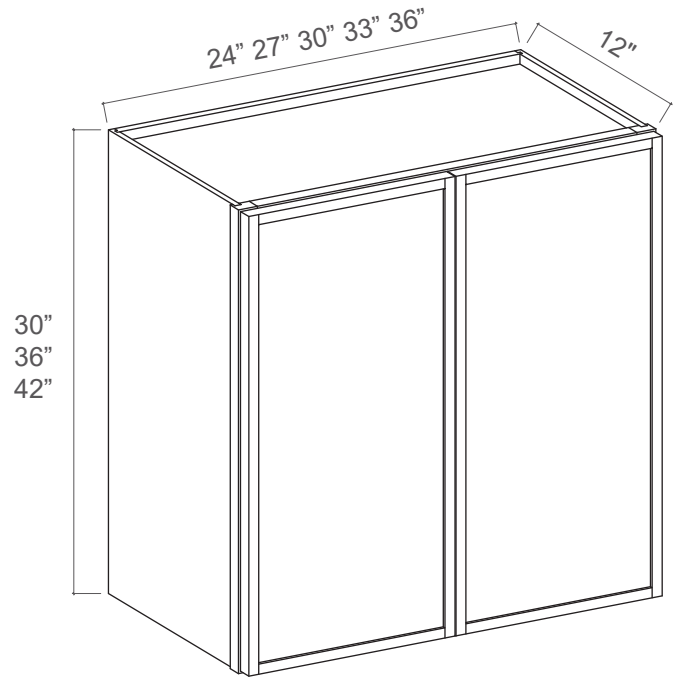
| Item Code |         | W      | H      | D   |
|-----------|---------|--------|--------|-----|
| W0930     | Cabinet | 9      | 30     | 12  |
|           | Door    | 8 3/4  | 29 3/4 | 3/4 |
| W0936     | Cabinet | 9      | 36     | 12  |
|           | Door    | 8 3/4  | 35 3/4 | 3/4 |
| W0942     | Cabinet | 9      | 42     | 12  |
|           | Door    | 8 3/4  | 41 3/4 | 3/4 |
| W1230     | Cabinet | 12     | 30     | 12  |
|           | Door    | 11 3/4 | 29 3/4 | 3/4 |
| W1236     | Cabinet | 12     | 36     | 12  |
|           | Door    | 11 3/4 | 35 3/4 | 3/4 |
| W1242     | Cabinet | 12     | 42     | 12  |
|           | Door    | 11 3/4 | 41 3/4 | 3/4 |
| W1530     | Cabinet | 15     | 30     | 12  |
|           | Door    | 14 3/4 | 29 3/4 | 3/4 |
| W1536     | Cabinet | 15     | 36     | 12  |
|           | Door    | 14 3/4 | 35 3/4 | 3/4 |
| W1542     | Cabinet | 15     | 42     | 12  |
|           | Door    | 14 3/4 | 41 3/4 | 3/4 |
| W1830     | Cabinet | 18     | 30     | 12  |
|           | Door    | 17 3/4 | 29 3/4 | 3/4 |
| W1836     | Cabinet | 18     | 36     | 12  |
|           | Door    | 17 3/4 | 35 3/4 | 3/4 |
| W1842     | Cabinet | 18     | 42     | 12  |
|           | Door    | 17 3/4 | 41 3/4 | 3/4 |
| W2130     | Cabinet | 21     | 30     | 12  |
|           | Door    | 20 3/4 | 29 3/4 | 3/4 |
| W2136     | Cabinet | 21     | 36     | 12  |
|           | Door    | 20 3/4 | 35 3/4 | 3/4 |
| W2142     | Cabinet | 21     | 42     | 12  |
|           | Door    | 20 3/4 | 41 3/4 | 3/4 |



2 Adjustable Shelves (30" & 36")  
3 Adjustable Shelves (42")

# Wall Cabinet Double Door

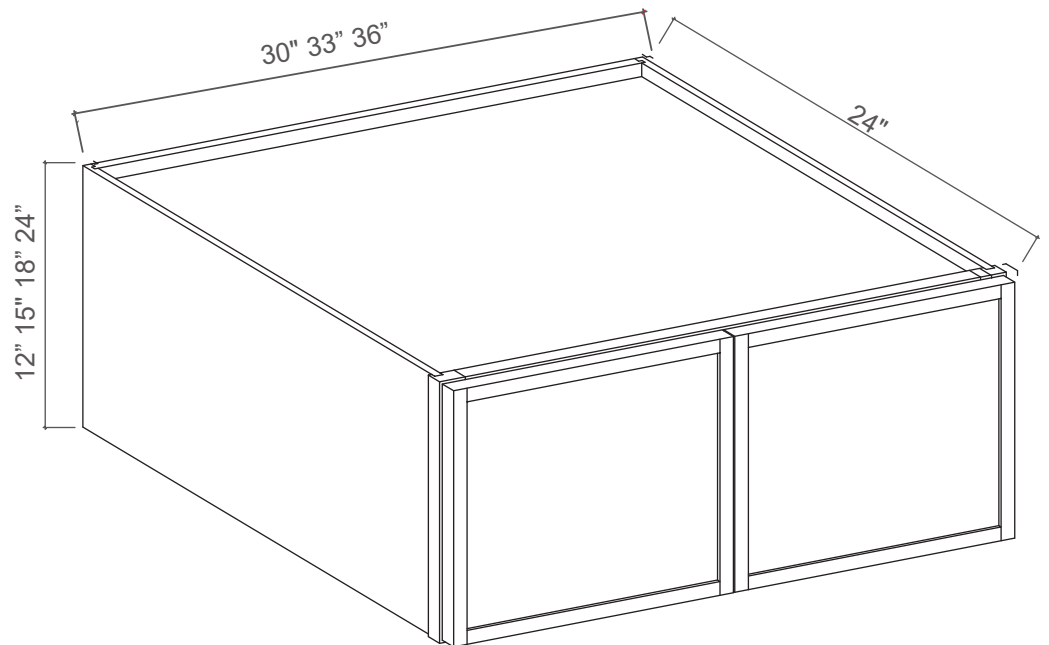
| Item Code |         | W      | H      | D   |
|-----------|---------|--------|--------|-----|
| W2430     | Cabinet | 24     | 30     | 12  |
|           | Door    | 11 3/4 | 29 3/4 | 3/4 |
| W2436     | Cabinet | 24     | 36     | 12  |
|           | Door    | 11 3/4 | 35 3/4 | 3/4 |
| W2442     | Cabinet | 24     | 42     | 12  |
|           | Door    | 11 3/4 | 41 3/4 | 3/4 |
| W2730     | Cabinet | 27     | 30     | 12  |
|           | Door    | 13 1/4 | 29 3/4 | 3/4 |
| W2736     | Cabinet | 27     | 36     | 12  |
|           | Door    | 13 1/4 | 35 3/4 | 3/4 |
| W2742     | Cabinet | 27     | 42     | 12  |
|           | Door    | 13 1/4 | 41 3/4 | 3/4 |
| W3030     | Cabinet | 30     | 30     | 12  |
|           | Door    | 14 3/4 | 29 3/4 | 3/4 |
| W3036     | Cabinet | 30     | 36     | 12  |
|           | Door    | 14 3/4 | 35 3/4 | 3/4 |
| W3042     | Cabinet | 30     | 42     | 12  |
|           | Door    | 14 3/4 | 41 3/4 | 3/4 |
| W3330     | Cabinet | 33     | 30     | 12  |
|           | Door    | 16 1/4 | 29 3/4 | 3/4 |
| W3336     | Cabinet | 18     | 36     | 12  |
|           | Door    | 16 1/4 | 35 3/4 | 3/4 |
| W3342     | Cabinet | 18     | 42     | 12  |
|           | Door    | 16 1/4 | 41 3/4 | 3/4 |
| W3630     | Cabinet | 36     | 30     | 12  |
|           | Door    | 17 3/4 | 29 3/4 | 3/4 |
| W3636     | Cabinet | 36     | 36     | 12  |
|           | Door    | 17 3/4 | 35 3/4 | 3/4 |
| W3642     | Cabinet | 36     | 42     | 12  |
|           | Door    | 17 3/4 | 41 3/4 | 3/4 |
| W3930     | Cabinet | 39     | 30     | 12  |
|           | Door    | 19 3/8 | 29 3/4 | 3/4 |



2 Adjustable Shelves (30" & 36")  
3 Adjustable Shelves (42")

# Wall Refrigerator Cabinet Double Doors

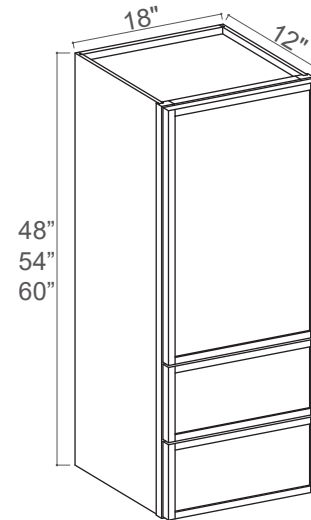
| Item Code |         | W      | H      | D   |
|-----------|---------|--------|--------|-----|
| W301224   | Cabinet | 30     | 12     | 24  |
|           | Door    | 14 3/4 | 11 3/4 | 3/4 |
| W301524   | Cabinet | 30     | 15     | 24  |
|           | Door    | 14 3/4 | 14 3/4 | 3/4 |
| W301824   | Cabinet | 30     | 18     | 24  |
|           | Door    | 14 3/4 | 17 3/4 | 3/4 |
| W302424   | Cabinet | 30     | 24     | 24  |
|           | Door    | 14 3/4 | 23 3/4 | 3/4 |
| W331224   | Cabinet | 33     | 12     | 24  |
|           | Door    | 16 1/4 | 11 3/4 | 3/4 |
| W331524   | Cabinet | 33     | 15     | 24  |
|           | Door    | 16 1/4 | 14 3/4 | 3/4 |
| W331824   | Cabinet | 33     | 18     | 24  |
|           | Door    | 16 1/4 | 17 3/4 | 3/4 |
| W332424   | Cabinet | 33     | 24     | 24  |
|           | Door    | 16 1/4 | 23 3/4 | 3/4 |
| W361224   | Cabinet | 36     | 12     | 24  |
|           | Door    | 17 3/4 | 11 3/4 | 3/4 |
| W361524   | Cabinet | 36     | 15     | 24  |
|           | Door    | 17 3/4 | 14 3/4 | 3/4 |
| W361824   | Cabinet | 36     | 18     | 24  |
|           | Door    | 17 3/4 | 17 3/4 | 3/4 |
| W362424   | Cabinet | 36     | 24     | 24  |
|           | Door    | 17 3/4 | 23 3/4 | 3/4 |



No Shelves (12", 15", 18")  
1 Adjustable Shelf (24")

## Wall Cabinet With Drawers

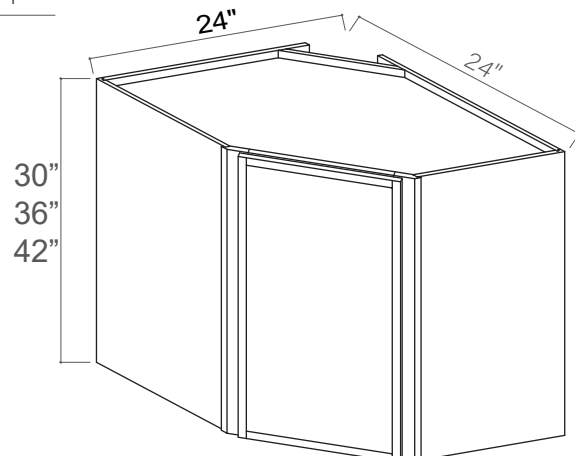
| Item Code |         | W      | H      | D   |
|-----------|---------|--------|--------|-----|
| WD1848    | Cabinet | 18     | 48     | 12  |
|           | Door    | 17 3/4 | 29 3/4 | 3/4 |
|           | Drawer  | 17 3/4 | 8 3/4  | 3/4 |
| WD1854    | Cabinet | 18     | 54     | 12  |
|           | Door    | 17 3/4 | 35 3/4 | 3/4 |
|           | Drawer  | 17 3/4 | 8 3/4  | 3/4 |
| WD1860    | Cabinet | 18     | 60     | 12  |
|           | Door    | 17 3/4 | 41 3/4 | 3/4 |
|           | Drawer  | 17 3/4 | 8 3/4  | 3/4 |



2 adjustable shelves (48" & 54")  
3 adjustable shelves (60")

## Wall Diagonal Corner Cabinet

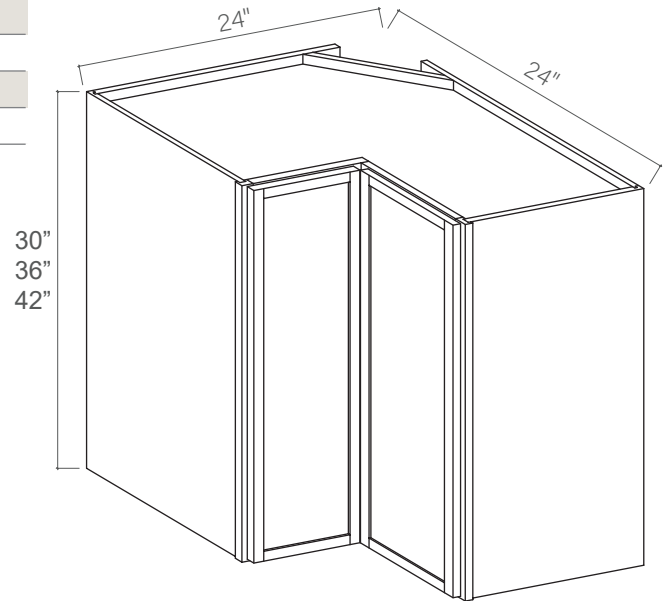
| Item Code |         | W      | H      | D   |
|-----------|---------|--------|--------|-----|
| DCW2430   | Cabinet | 24     | 30     | 24  |
|           | Door    | 15 1/4 | 29 3/4 | 3/4 |
| DCW2436   | Cabinet | 24     | 36     | 24  |
|           | Door    | 15 1/4 | 35 3/4 | 3/4 |
| DCW2442   | Cabinet | 24     | 42     | 24  |
|           | Door    | 15 1/4 | 41 3/4 | 3/4 |



2 adjustable shelves (30"-36")  
3 adjustable shelves (42")

## Easy Reach Wall Cabinet

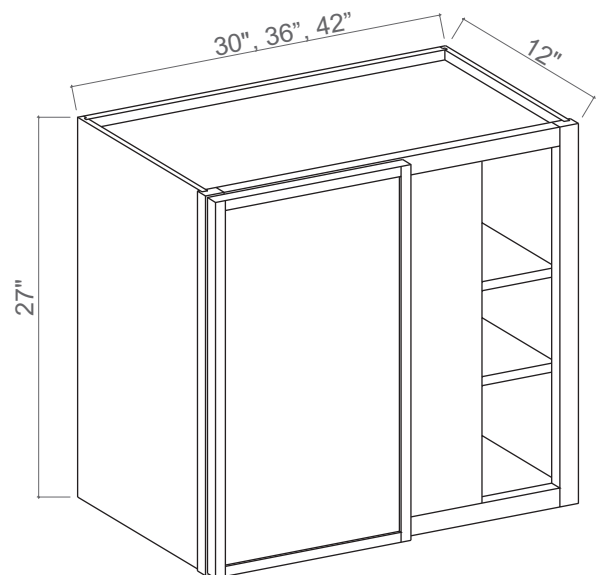
| Item Code |         | W      | H      | D   |
|-----------|---------|--------|--------|-----|
| WER2430   | Cabinet | 24     | 30     | 24  |
|           | Door    | 10 5/8 | 29 3/4 | 3/4 |
| WER2436   | Cabinet | 24     | 36     | 24  |
|           | Door    | 10 5/8 | 35 3/4 | 3/4 |
| WER2442   | Cabinet | 24     | 42     | 24  |
|           | Door    | 10 5/8 | 41 3/4 | 3/4 |



2 adjustable shelves (30" & 36")  
3 adjustable shelves (42")

## Wall Blind Corner Cabinet

| Item Code |         | W       | H      | D   |
|-----------|---------|---------|--------|-----|
| WBC2730   | Cabinet | 27      | 30     | 12  |
|           | Door    | 12 9/16 | 29 3/4 | 3/4 |
| WBC2736   | Cabinet | 27      | 36     | 12  |
|           | Door    | 12 9/16 | 35 3/4 | 3/4 |
| WBC2742   | Cabinet | 27      | 42     | 12  |
|           | Door    | 12 9/16 | 41 3/4 | 3/4 |



2 adjustable shelves (30" - 36")  
3 adjustable shelves (42")  
Can be pulled for exact fit

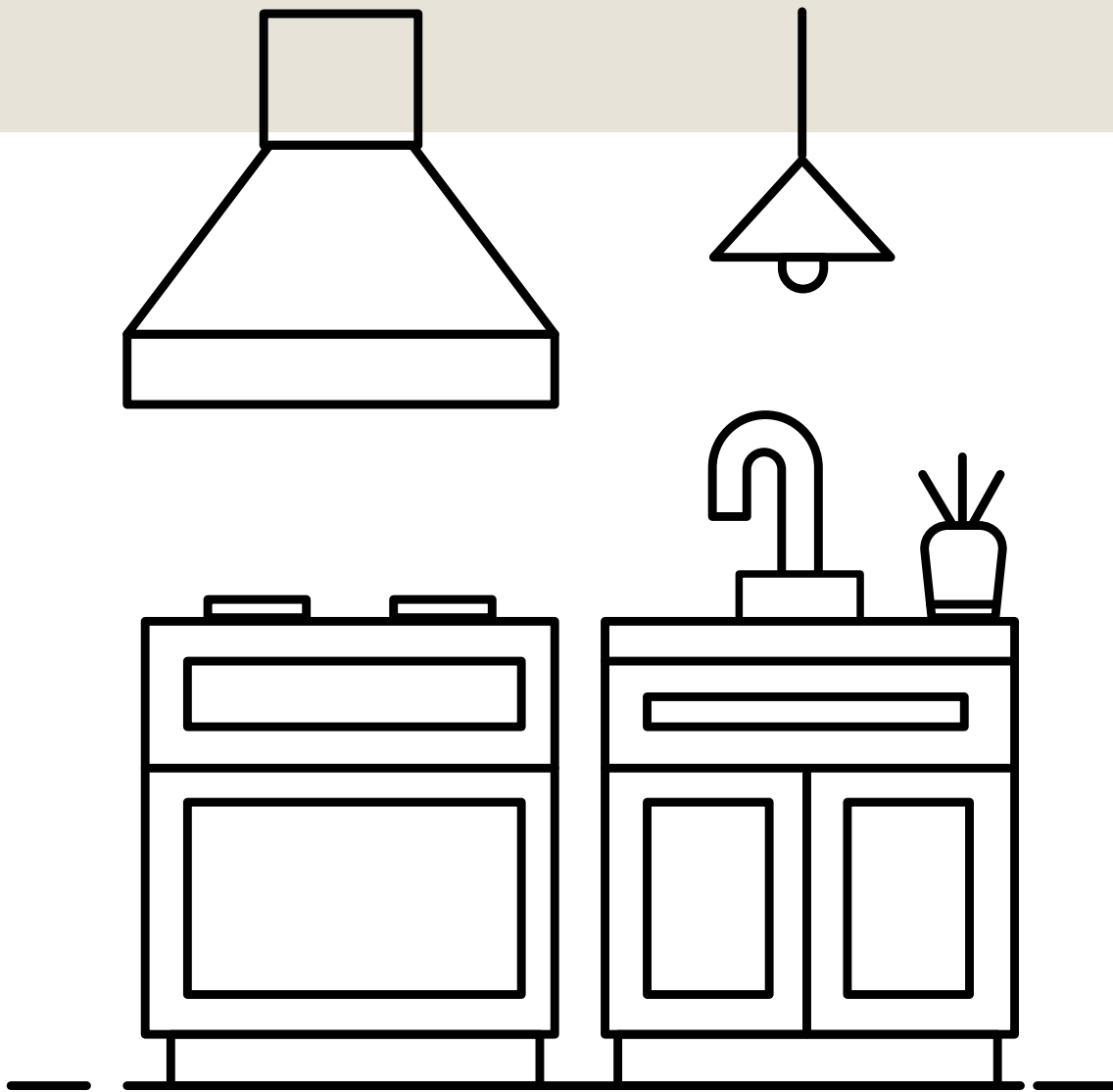
EDITION

2026

# Base Cabinets

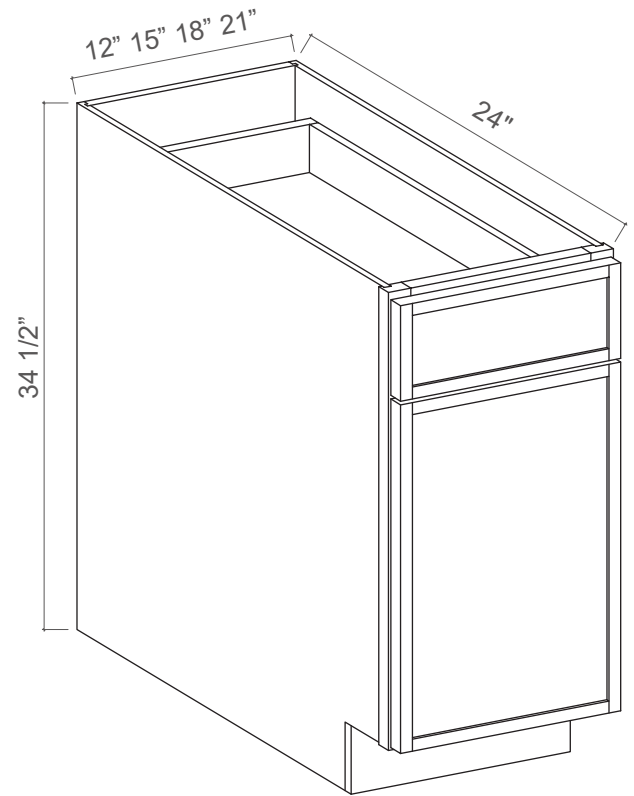
## Diagram

Explore all our SKUs and sizes to find the perfect fit for your needs.



## Base Cabinet Single Door

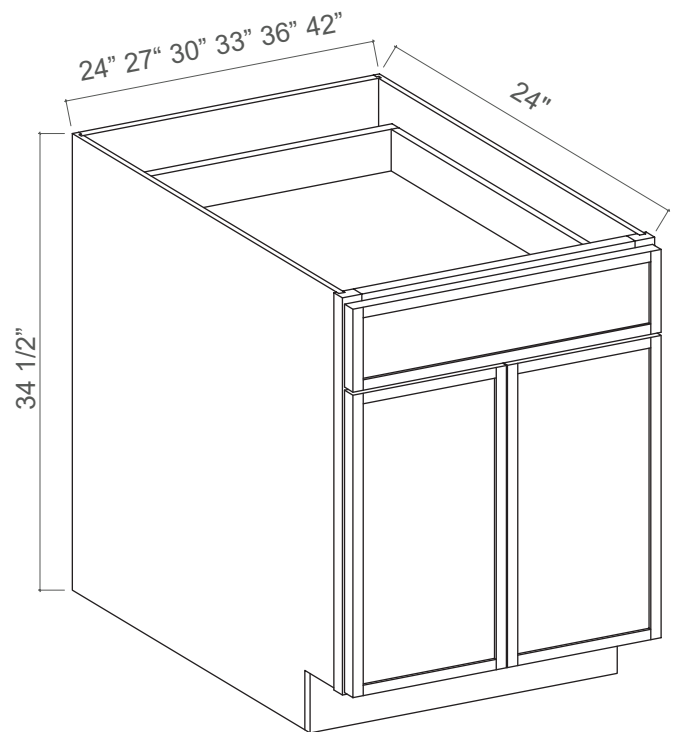
| Item Code |         | W      | H      | D   |
|-----------|---------|--------|--------|-----|
| B12       | Cabinet | 12     | 34 1/2 | 24  |
|           | Door    | 11 3/4 | 22 7/8 | 3/4 |
| B15       | Cabinet | 15     | 34 1/2 | 24  |
|           | Door    | 14 3/4 | 22 7/8 | 3/4 |
| B18       | Cabinet | 18     | 34 1/2 | 24  |
|           | Door    | 17 3/4 | 22 7/8 | 3/4 |
| B21       | Cabinet | 21     | 34 1/2 | 24  |
|           | Door    | 20 3/4 | 22 7/8 | 3/4 |



1 Drawer, 1 Adjustable Shelf (12", 15", 18", 21")

## Base Cabinet Double Door

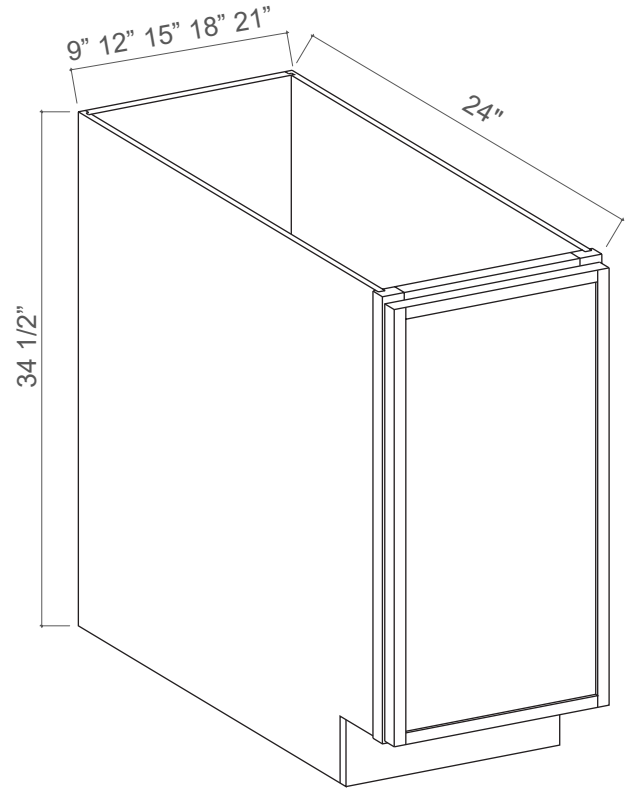
| Item Code |         | W      | H      | D   |
|-----------|---------|--------|--------|-----|
| B24       | Cabinet | 24     | 34 1/2 | 24  |
|           | Door    | 11 3/4 | 33 1/2 | 3/4 |
| B27       | Cabinet | 27     | 34 1/2 | 24  |
|           | Door    | 13 3/4 | 33 1/2 | 3/4 |
| B30       | Cabinet | 30     | 34 1/2 | 24  |
|           | Door    | 14 3/4 | 33 1/2 | 3/4 |
| B33       | Cabinet | 33     | 34 1/2 | 24  |
|           | Door    | 15 3/4 | 33 1/2 | 3/4 |
| B36       | Cabinet | 36     | 34 1/2 | 24  |
|           | Door    | 17 3/4 | 33 1/2 | 3/4 |
| B42       | Cabinet | 42     | 34 1/2 | 24  |
|           | Door    | 20 3/4 | 33 1/2 | 3/4 |



1 Drawer, 1 Adjustable Shelf (24", 27")  
2 Drawers, 2 Adjustable Shelves (30", 33", 36", 42")

## Base Cabinet Full High Single Door

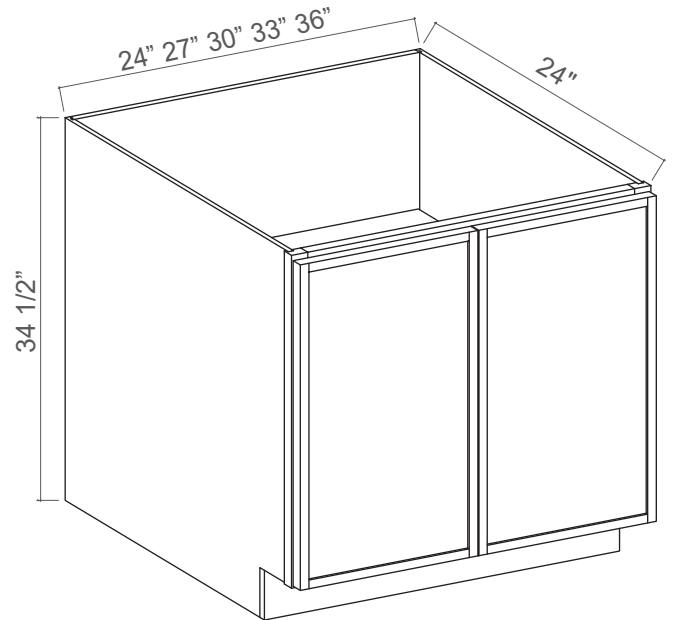
| Item Code |         | W      | H      | D   |
|-----------|---------|--------|--------|-----|
| BT09      | Cabinet | 9      | 34 1/2 | 24  |
|           | Door    | 8 3/4  | 29 1/4 | 3/4 |
| BFH12     | Cabinet | 12     | 34 1/2 | 24  |
|           | Door    | 11 3/4 | 29 1/4 | 3/4 |
| BFH15     | Cabinet | 15     | 34 1/2 | 24  |
|           | Door    | 14 3/4 | 29 1/4 | 3/4 |
| BFH18     | Cabinet | 18     | 34 1/2 | 24  |
|           | Door    | 17 3/4 | 29 1/4 | 3/4 |
| BFH21     | Cabinet | 21     | 34 1/2 | 24  |
|           | Door    | 20 3/4 | 29 1/4 | 3/4 |



1 Adjustable Shelf (12", 15", 18", 21")

## Base Cabinet Full High 2 Doors

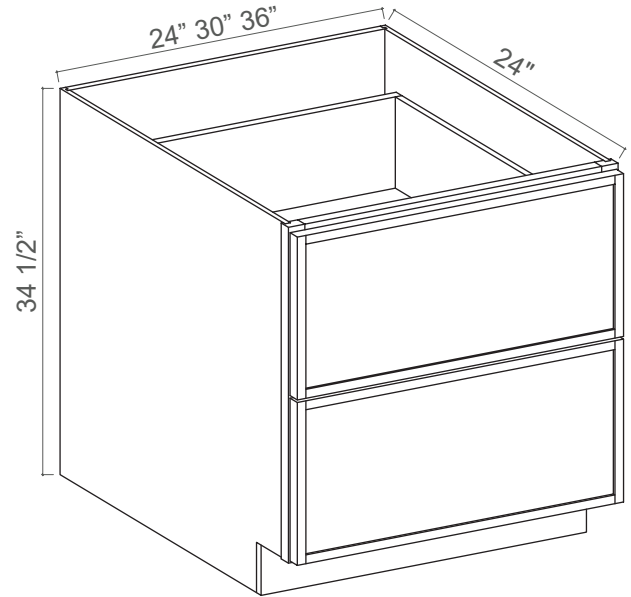
| Item Code |         | W      | H      | D   |
|-----------|---------|--------|--------|-----|
| BFH24     | Cabinet | 24     | 34 1/2 | 24  |
|           | Door    | 11 3/4 | 29 1/4 | 3/4 |
| BFH27     | Cabinet | 27     | 34 1/2 | 24  |
|           | Door    | 13 1/4 | 29 1/4 | 3/4 |
| BFH30     | Cabinet | 30     | 34 1/2 | 24  |
|           | Door    | 14 3/4 | 29 1/4 | 3/4 |
| BFH33     | Cabinet | 33     | 34 1/2 | 24  |
|           | Door    | 16 1/4 | 29 1/4 | 3/4 |
| BFH36     | Cabinet | 36     | 34 1/2 | 24  |
|           | Door    | 17 3/4 | 29 1/4 | 3/4 |



1 Adjustable Shelf

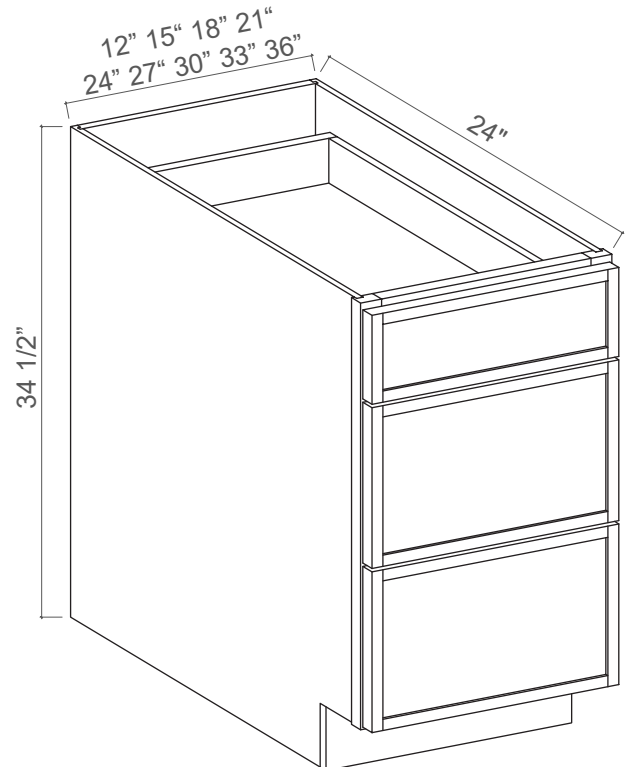
## Base Cabinet 2 Drawers

| Item Code |               | W      | H      | D   |
|-----------|---------------|--------|--------|-----|
| 2DB24     | Cabinet       | 24     | 34 1/2 | 24  |
|           | Top Drawer    | 23 3/4 | 14 1/2 | 3/4 |
|           | Bottom Drawer | 23 3/4 | 14 1/2 | 3/4 |
| 2DB30     | Cabinet       | 30     | 34 1/2 | 24  |
|           | Top Drawer    | 29 1/2 | 14 1/2 | 3/4 |
|           | Bottom Drawer | 29 1/2 | 14 1/2 | 3/4 |
| 2DB36     | Cabinet       | 36     | 34 1/2 | 24  |
|           | Top Drawer    | 35 1/2 | 14 1/2 | 3/4 |
|           | Bottom Drawer | 35 1/2 | 14 1/2 | 3/4 |



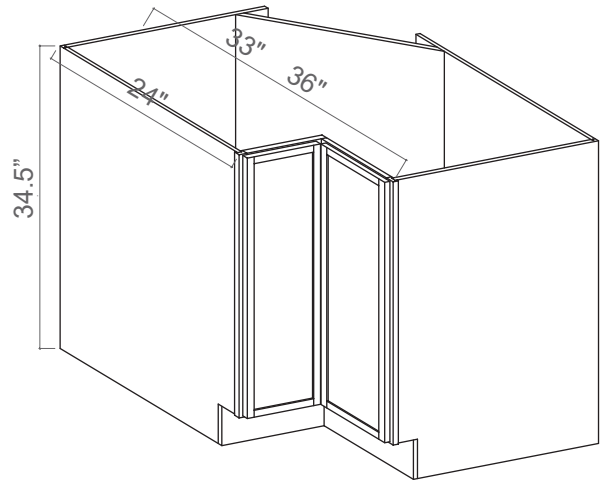
## Base Cabinet 3 Drawers

| Item Code |               | W      | H      | D   |
|-----------|---------------|--------|--------|-----|
| 3DB12     | Cabinet       | 12     | 34 1/2 | 24  |
|           | Top Drawer    | 11 3/4 | 6 1/4  | 3/4 |
|           | Bottom Drawer | 11 3/4 | 11 1/4 | 3/4 |
| 3DB15     | Cabinet       | 15     | 34 1/2 | 24  |
|           | Top Drawer    | 14 3/4 | 6 1/4  | 3/4 |
|           | Bottom Drawer | 14 3/4 | 11 1/4 | 3/4 |
| 3DB18     | Cabinet       | 18     | 34 1/2 | 24  |
|           | Top Drawer    | 17 3/4 | 6 1/4  | 3/4 |
|           | Bottom Drawer | 17 3/4 | 11 1/4 | 3/4 |
| 3DB21     | Cabinet       | 21     | 34 1/2 | 24  |
|           | Top Drawer    | 20 3/4 | 6 1/4  | 3/4 |
|           | Bottom Drawer | 20 3/4 | 11 1/4 | 3/4 |
| 3DB24     | Cabinet       | 24     | 34 1/2 | 24  |
|           | Top Drawer    | 23 3/4 | 6 1/4  | 3/4 |
|           | Bottom Drawer | 23 3/4 | 11 1/4 | 3/4 |
| 3DB27     | Cabinet       | 27     | 34 1/2 | 24  |
|           | Top Drawer    | 26 3/4 | 6 1/4  | 3/4 |
|           | Bottom Drawer | 26 3/4 | 11 1/4 | 3/4 |
| 3DB30     | Cabinet       | 30     | 34 1/2 | 24  |
|           | Top Drawer    | 29 3/4 | 6 1/4  | 3/4 |
|           | Bottom Drawer | 29 3/4 | 11 1/4 | 3/4 |
| 3DB33     | Cabinet       | 33     | 34 1/2 | 24  |
|           | Top Drawer    | 32 3/4 | 6 1/4  | 3/4 |
|           | Bottom Drawer | 32 3/4 | 11 1/4 | 3/4 |
| 3DB36     | Cabinet       | 36     | 34 1/2 | 24  |
|           | Top Drawer    | 35 3/4 | 6 1/4  | 3/4 |
|           | Bottom Drawer | 35 3/4 | 11 1/4 | 3/4 |



## Easy Reach Base Cabinet

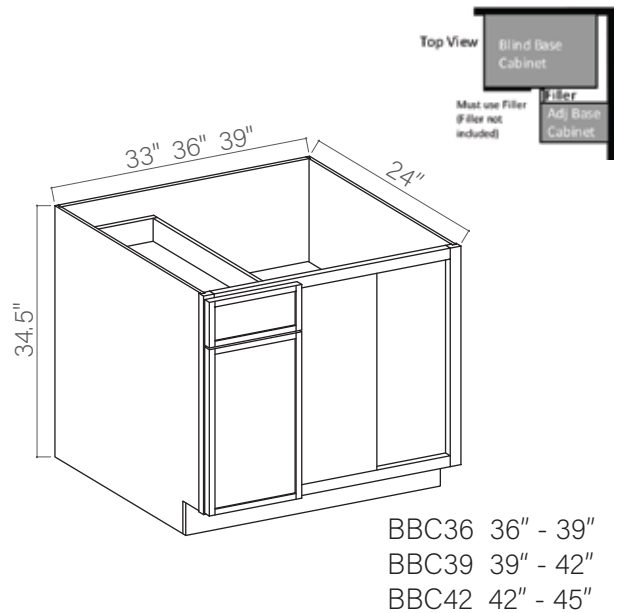
| Item Code |         | W      | H      | D   |
|-----------|---------|--------|--------|-----|
| ERB33     | Cabinet | 33     | 34 1/2 | 24  |
|           | Door    | 7 5/8  | 29     | 3/4 |
| ERB36     | Cabinet | 36     | 34 1/2 | 24  |
|           | Door    | 10 5/8 | 29     | 3/4 |



One Bi-fold Door

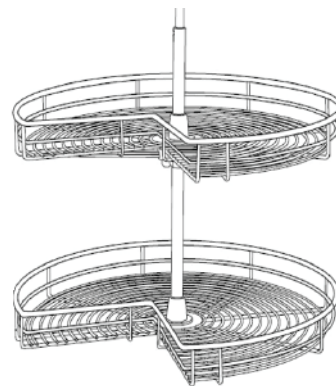
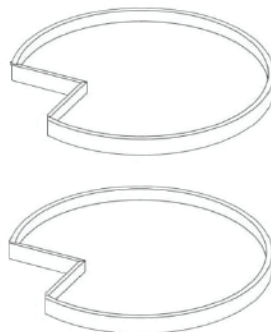
## Blind Corner Base Cabinet

| Item Code   |          | W      | H      | D   |
|---|----------|--------|--------|-----|
| BBC36*  | Cabinet  | 33     | 34 1/2 | 24  |
|   | Door     | 10     | 22 1/2 | 3/4 |
|   | Drawer   | 10     | 6 1/4  | 3/4 |
| <i>*Install range 37" min., 40" max; Specify Left-hinge or Right-hinge assembly</i> |          |        |        |     |
| BBC39*  | Cabinet  | 36     | 34 1/2 | 3/4 |
|   | Door     | 12 3/4 | 22 1/2 | 3/4 |
|   | Drawer   | 12 3/4 | 6 1/4  | 24  |
| <i>*Install range 40" min., 43" max; Specify Left-hinge or Right-hinge assembly</i> |          |        |        |     |
| BBC42*  | BCabinet | 39     | 34 1/2 | 3/4 |
|   | Door     | 15 3/4 | 22 1/2 | 24  |
|   | Drawer   | 15 3/4 | 6 1/4  | 3/4 |
| <i>*Install range 43" min., 46" max; Specify Left-hinge or Right-hinge assembly</i> |          |        |        |     |



## Wood Tray / Chrome Tray

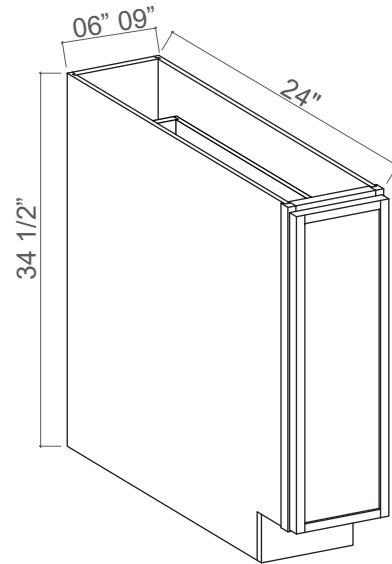
| Item Code      |
|----------------|
| Wood Tray      |
| Chrome Tray 33 |
| Chrome Tray 36 |



Add to ERB for Lazy Susan  
 The wood tray does not include a center pole.  
 It fits both 33" and 36"  
 and it's shelf-mounted.

## Spice Pull Base Cabinet

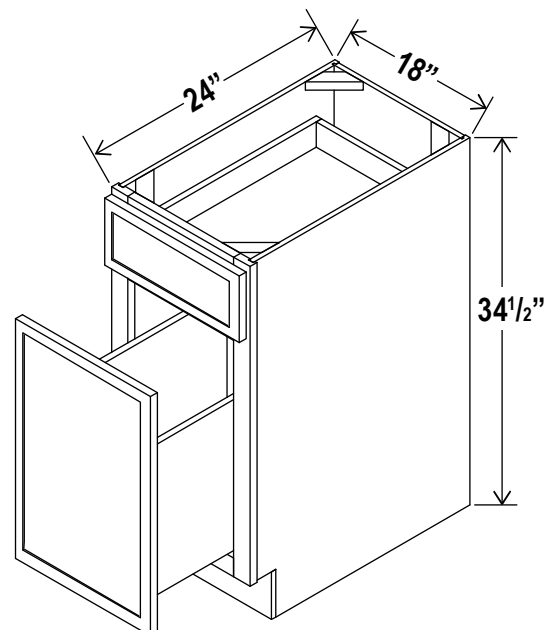
| Item Code |         | W     | H      | D   |
|-----------|---------|-------|--------|-----|
| SPB6      | Cabinet | 6     | 34 1/2 | 24  |
|           | Drawer  | 5 1/2 | 29     | 3/4 |
| SPB9      | Cabinet | 9     | 34 1/2 | 24  |
|           | Drawer  | 8 1/2 | 29     | 3/4 |



## Base Waste Basket Cabinet

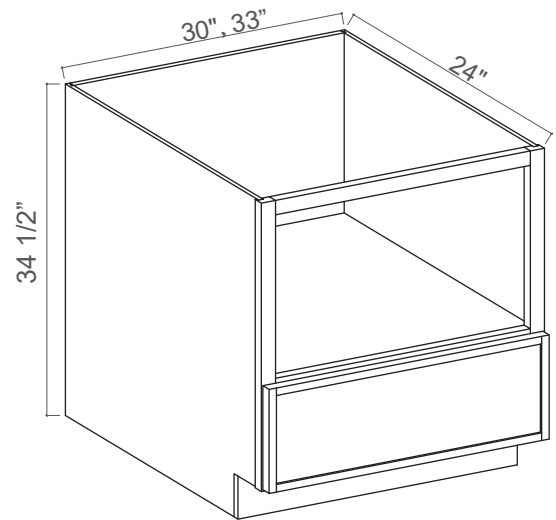
| Item Code |               | W      | H      | D   |
|-----------|---------------|--------|--------|-----|
| BWB18     | Cabinet       | 18     | 34 1/2 | 24  |
|           | Top Drawer    | 17 1/2 | 6 1/4  | 3/4 |
|           | Bottom Drawer | 17 1/2 | 22 1/2 | 3/4 |

Trash bin is not included, but it can be ordered separately.



## Microwave Base Cabinet

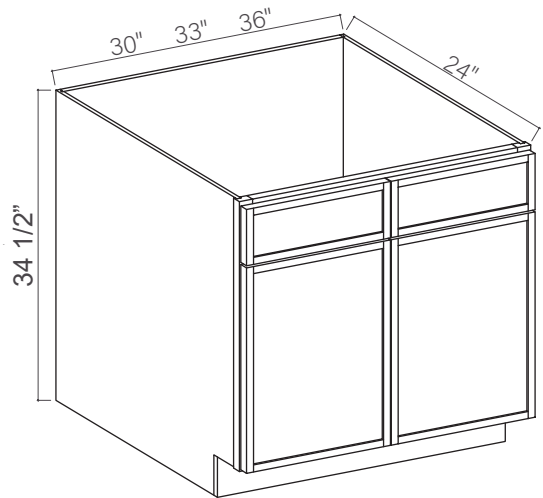
| Item Code |                                 | W      | H      | D   |
|-----------|---------------------------------|--------|--------|-----|
| MB30      | Cabinet                         | 30     | 34 1/2 | 24  |
|           | Drawer                          | 29 3/4 | 10 1/2 | 3/4 |
|           | Opening Dimensions: 27"W x 17"H |        |        |     |
| MB33      | Cabinet                         | 33     | 34 1/2 | 24  |
|           | Drawer                          | 32 3/4 | 10 1/2 | 3/4 |
|           | Opening Dimensions: 30"W x 17"H |        |        |     |



Natural Interior for SAG and Finished Interiors for SDW and SWO

## Sink Base

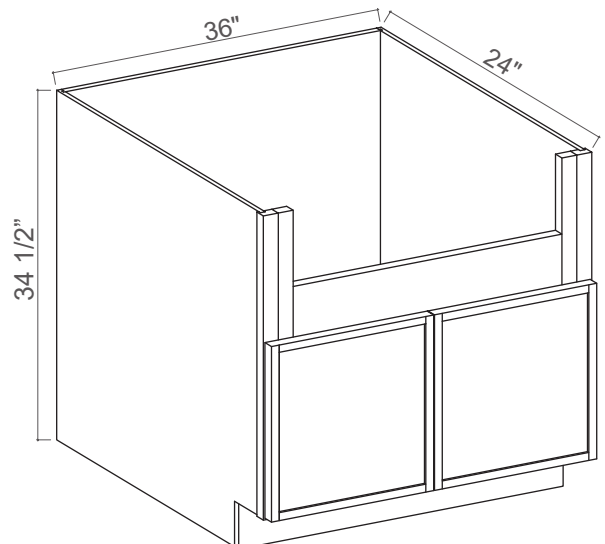
| Item Code |         | W      | H      | D   |
|-----------|---------|--------|--------|-----|
| SB30      | Cabinet | 30     | 34 1/2 | 24  |
|           | Door    | 14 3/4 | 22 3/4 | 3/4 |
|           | Drawer  | 14 3/4 | 6 1/4  | 3/4 |
| SB33      | Cabinet | 33     | 34 1/2 | 24  |
|           | Door    | 16 1/4 | 22 3/4 | 3/4 |
|           | Drawer  | 16 1/4 | 6 1/4  | 3/4 |
| SB36      | Cabinet | 36     | 34 1/2 | 24  |
|           | Door    | 17 3/4 | 22 3/4 | 3/4 |
|           | Drawer  | 17 3/4 | 6 1/4  | 3/4 |



Two Dummy Drawers

## Farm Sink Base

| Item Code |                                     | W      | H      | D   |
|-----------|-------------------------------------|--------|--------|-----|
| FSB36     | Cabinet                             | 36     | 34 1/2 | 24  |
|           | Door                                | 17 3/4 | 17 1/4 | 3/4 |
|           | Sink trimout: 30" W x 7 1/2" - 9" H |        |        |     |



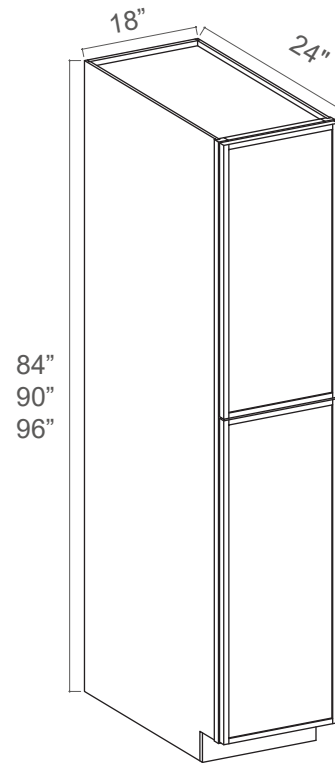
# Tall Cabinets Diagram

Explore all our SKUs and sizes to find the perfect fit for your needs.



## Tall Pantry 2 Doors

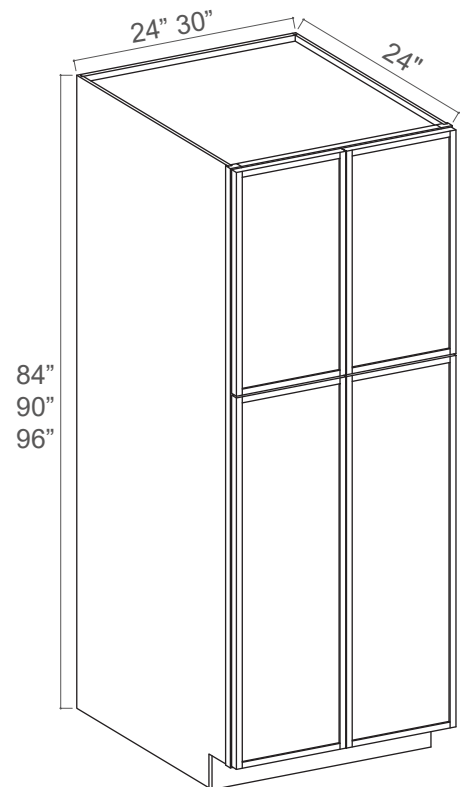
| Item Code |             | W      | H      | D   |
|-----------|-------------|--------|--------|-----|
| U188424   | Cabinet     | 18     | 84     | 24  |
|           | Top Door    | 17 3/4 | 29 3/4 | 3/4 |
|           | Bottom Door | 17 3/4 | 49 1/4 | 3/4 |
| U189024   | Cabinet     | 18     | 90     | 24  |
|           | Top Door    | 17 3/4 | 35 3/4 | 3/4 |
|           | Bottom Door | 17 3/4 | 49 1/4 | 3/4 |
| U189624   | Cabinet     | 18     | 96     | 24  |
|           | Top Door    | 17 3/4 | 41 3/4 | 3/4 |
|           | Bottom Door | 17 3/4 | 49 1/4 | 3/4 |



Two Doors  
 Two Adjustable Top Shelves  
 Three Bottom Shelves  
 Note: Roll Out Shelf Kits Available

## Tall Pantry 4 Doors

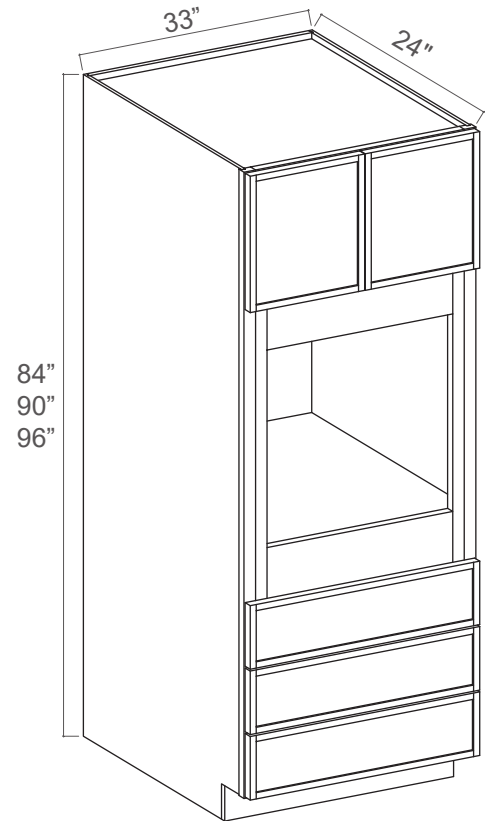
| Item Code |             | W      | H      | D   |
|-----------|-------------|--------|--------|-----|
| U248424   | Cabinet     | 24     | 84     | 24  |
|           | Top Door    | 11 3/4 | 29 3/4 | 3/4 |
|           | Bottom Door | 11 3/4 | 49 1/4 | 3/4 |
| U308424   | Cabinet     | 30     | 84     | 24  |
|           | Top Door    | 14 3/4 | 29 3/4 | 3/4 |
|           | Bottom Door | 14 3/4 | 49 1/4 | 3/4 |
| U249024   | Cabinet     | 24     | 90     | 24  |
|           | Top Door    | 11 3/4 | 35 3/4 | 3/4 |
|           | Bottom Door | 11 3/4 | 49 1/4 | 3/4 |
| U309024   | Cabinet     | 30     | 90     | 24  |
|           | Top Door    | 14 3/4 | 35 3/4 | 3/4 |
|           | Bottom Door | 14 3/4 | 49 1/4 | 3/4 |
| U249624   | Cabinet     | 24     | 96     | 24  |
|           | Top Door    | 11 3/4 | 41 3/4 | 3/4 |
|           | Bottom Door | 11 3/4 | 49 1/4 | 3/4 |
| U309624   | Cabinet     | 30     | 96     | 24  |
|           | Top Door    | 29 3/4 | 41 3/4 | 3/4 |
|           | Bottom Door | 14 3/4 | 49 1/4 | 3/4 |



Four Doors  
 Two Adjustable Top Shelves  
 Three Bottom Shelves  
 Note: Roll Out Shelf Kits Available

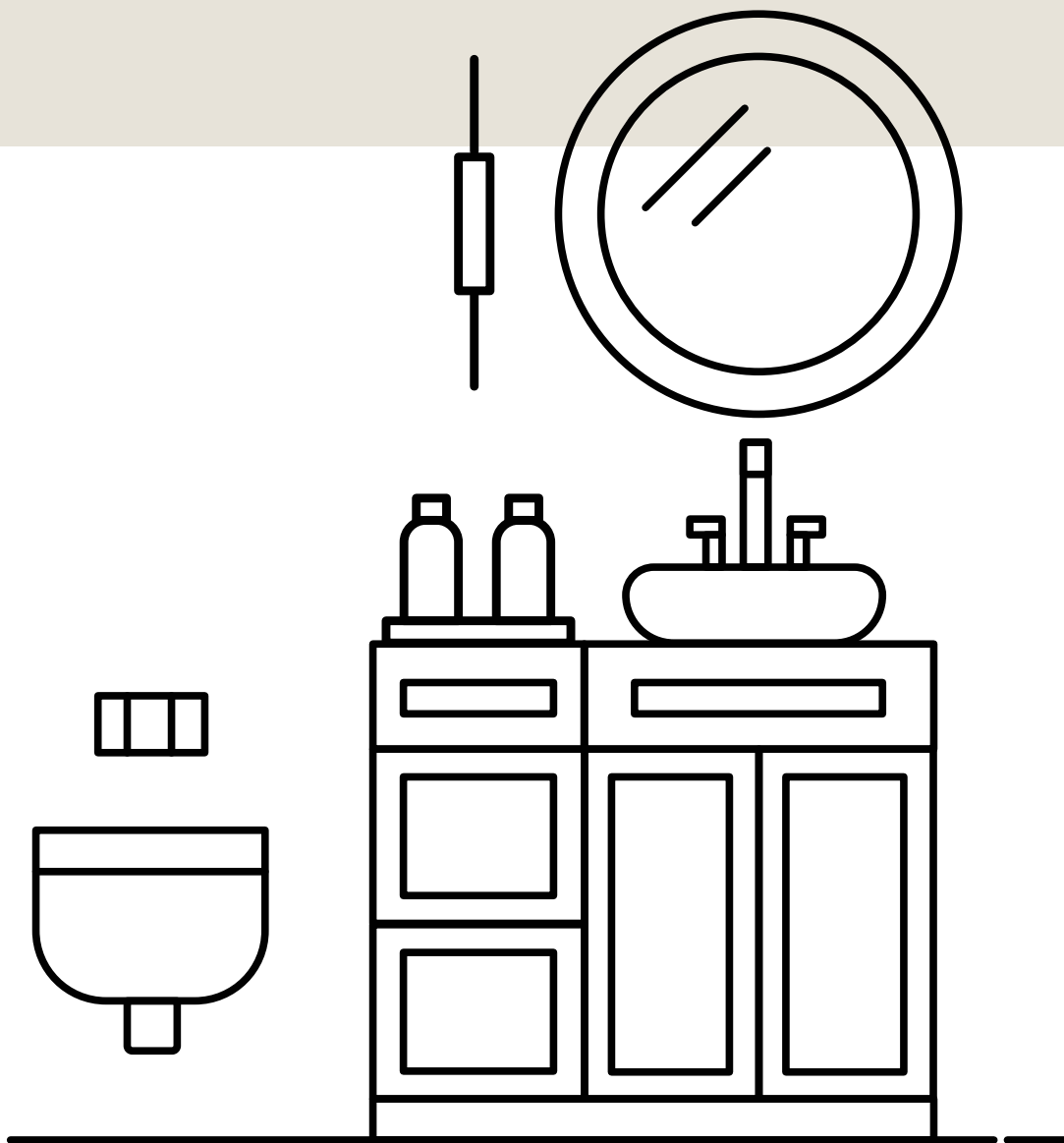
# Oven Cabinet

| Item Code |         | W      | H      | D   |
|-----------|---------|--------|--------|-----|
| O338424   | Cabinet | 33     | 84     | 24  |
|           | Doors   | 16 1/4 | 17 1/4 | 3/4 |
|           | Drawers | 32 3/4 | 8 1/4  | 3/4 |
| O339024   | Cabinet | 33     | 90     | 24  |
|           | Doors   | 16 1/4 | 23 1/4 | 3/4 |
|           | Drawers | 32 3/4 | 8 1/4  | 3/4 |
| O339624   | Cabinet | 33     | 96     | 24  |
|           | Doors   | 16 1/4 | 29 1/4 | 3/4 |
|           | Drawers | 32 3/4 | 8 1/4  | 3/4 |



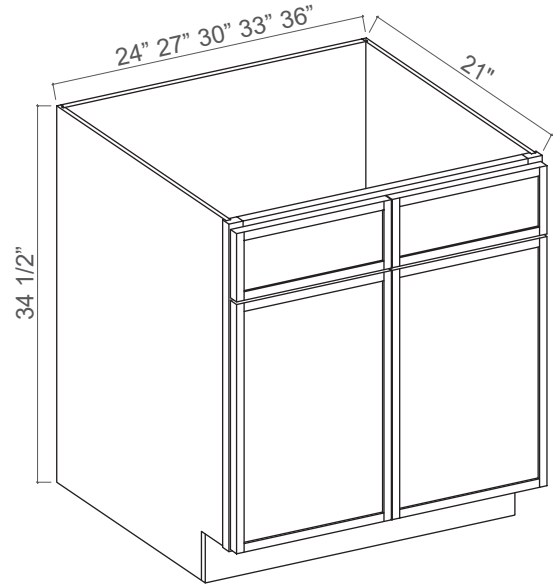
# Vanity Cabinets Diagram

Explore all our SKUs and sizes to  
find the perfect fit for your needs.



## Vanity Sink Cabinet

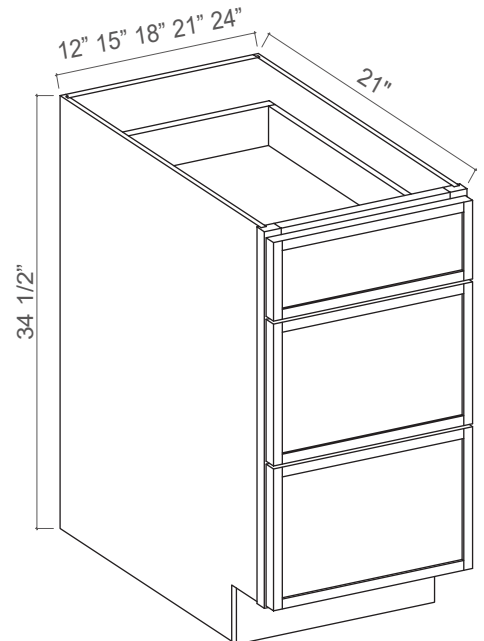
| Item Code |               | W      | H      | D   |
|-----------|---------------|--------|--------|-----|
| VS24      | Cabinet       | 24     | 34 1/2 | 21  |
|           | Doors         | 11 3/4 | 22 3/4 | 3/4 |
|           | Dummy Drawer  | 23 1/4 | 6 1/4  | 3/4 |
| VS27      | Cabinet       | 27     | 34 1/2 | 21  |
|           | Doors         | 13 1/4 | 22 3/4 | 3/4 |
|           | Dummy Drawer  | 26 1/2 | 6 1/4  | 3/4 |
| VS30      | Cabinet       | 30     | 34 1/2 | 21  |
|           | Doors         | 14 3/4 | 22 3/4 | 3/4 |
|           | Dummy Drawers | 14 3/4 | 6 1/4  | 3/4 |
| VS33      | Cabinet       | 33     | 34 1/2 | 21  |
|           | Doors         | 16 1/4 | 22 1/2 | 3/4 |
|           | Dummy Drawers | 16 1/4 | 6 1/4  | 3/4 |
| VS36      | Cabinet       | 36     | 34 1/2 | 21  |
|           | Doors         | 17 3/4 | 22 3/4 | 3/4 |
|           | Dummy Drawers | 17 3/4 | 6 1/4  | 3/4 |



One Dummy Drawer (24", 27")  
Two Dummy Drawers (30", 36")  
Two Doors

## Vanity Drawer Cabinet

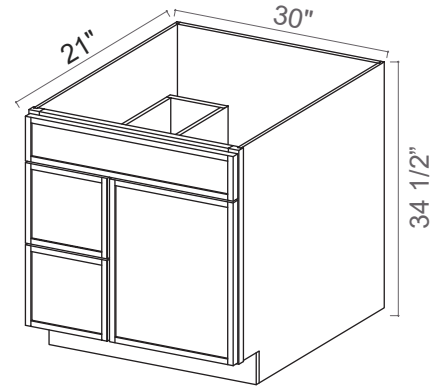
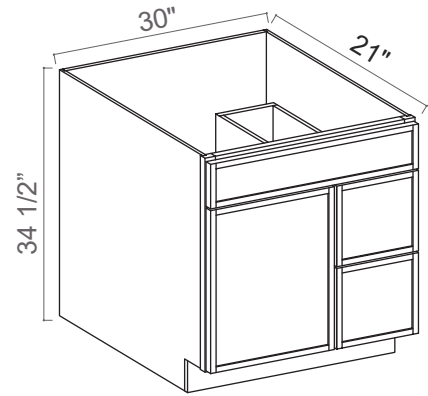
| Item Code |                | W      | H      | D   |
|-----------|----------------|--------|--------|-----|
| 3VDB12    | Cabinet        | 12     | 34 1/2 | 21  |
|           | Top Drawer     | 11 3/4 | 6 1/4  | 3/4 |
|           | Bottom Drawers | 11 3/4 | 11 1/4 | 3/4 |
| 3VDB15    | Cabinet        | 15     | 34 1/2 | 21  |
|           | Top Drawer     | 14 3/4 | 6 1/4  | 3/4 |
|           | Bottom Drawers | 14 3/4 | 11 1/4 | 3/4 |
| 3VDB18    | Cabinet        | 18     | 34 1/2 | 21  |
|           | Top Drawer     | 17 3/4 | 6 1/4  | 3/4 |
|           | Bottom Drawers | 17 3/4 | 11 1/4 | 3/4 |
| 3VDB21    | Cabinet        | 21     | 34 1/2 | 21  |
|           | Top Drawer     | 20 3/4 | 6 1/4  | 3/4 |
|           | Bottom Drawers | 20 3/4 | 11 1/4 | 3/4 |
| 3VDB24    | Cabinet        | 24     | 34 1/2 | 21  |
|           | Top Drawer     | 23 3/4 | 6 1/4  | 3/4 |
|           | Bottom Drawers | 23 3/4 | 11 1/4 | 3/4 |



Three Drawers

## Vanity Combo Cabinet

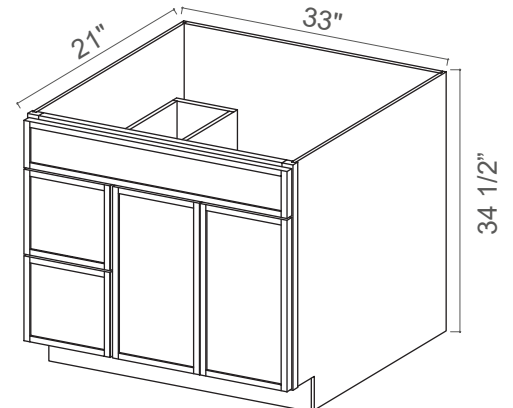
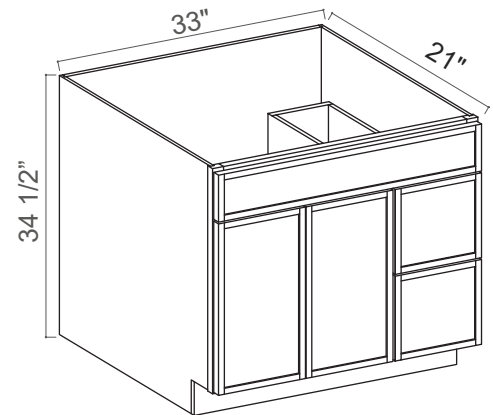
| Item Code |                 | W      | H      | D   |
|-----------|-----------------|--------|--------|-----|
| V3021TDL  | Cabinet         | 30     | 34 1/2 | 21  |
|           | Door            | 17 3/4 | 22 3/4 | 3/4 |
|           | Long Top Drawer | 29 3/4 | 6 1/4  | 3/4 |
|           | Middle Drawer   | 11 3/4 | 11 1/4 | 3/4 |
|           | Bottom Drawer   | 11 3/4 | 11 1/4 | 3/4 |
| V3021TDR  | Cabinet         | 30     | 34 1/2 | 21  |
|           | Door            | 17 3/4 | 22 3/4 | 3/4 |
|           | Long Top Drawer | 29 3/4 | 6 1/4  | 3/4 |
|           | Middle Drawer   | 11 3/4 | 11 1/4 | 3/4 |
|           | Bottom Drawer   | 11 3/4 | 11 1/4 | 3/4 |



V3021TDL: 30" Combo w Drawers Left  
V3021TDR: 30" Combo w Drawers Right

## Vanity Drawer Cabinet

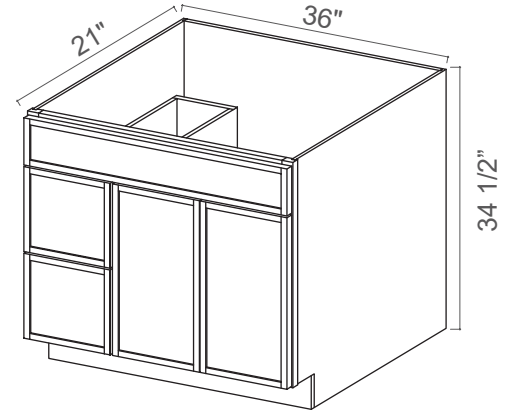
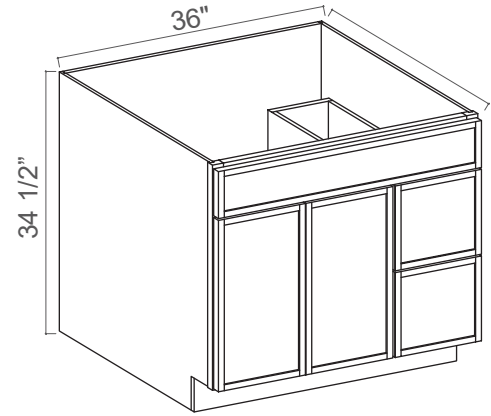
| Item Code |                 | W      | H      | D   |
|-----------|-----------------|--------|--------|-----|
| V3321TDL  | Cabinet         | 33     | 34 1/2 | 21  |
|           | Door            | 20 3/4 | 22 3/4 | 3/4 |
|           | Long Top Drawer | 32 3/4 | 6 1/4  | 3/4 |
|           | Middle Drawer   | 11 3/4 | 11 1/4 | 3/4 |
|           | Bottom Drawer   | 11 3/4 | 11 1/4 | 3/4 |
| V3321TDR  | Cabinet         | 33     | 34 1/2 | 21  |
|           | Door            | 20 3/4 | 22 3/4 | 3/4 |
|           | Long Top Drawer | 32 3/4 | 6 1/4  | 3/4 |
|           | Middle Drawer   | 11 3/4 | 11 1/4 | 3/4 |
|           | Bottom Drawer   | 11 3/4 | 11 1/4 | 3/4 |



V3321TDL: 33" Combo w Drawers Left  
V3321TDR: 33" Combo w Drawers Right

## Vanity Drawer Cabinet

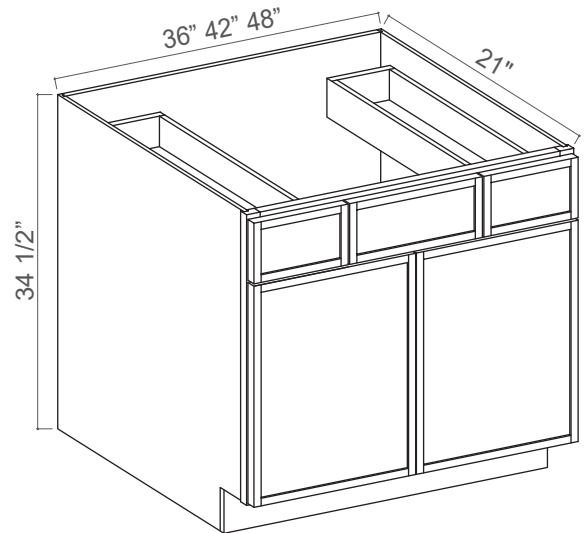
| Item Code |                 | W      | H      | D   |
|-----------|-----------------|--------|--------|-----|
| V3621TDL  | Cabinet         | 36     | 34 1/2 | 21  |
|           | Door            | 11 3/4 | 22 3/4 | 3/4 |
|           | Long Top Drawer | 35 3/4 | 6 1/4  | 3/4 |
|           | Middle Drawer   | 11 3/4 | 11 1/4 | 3/4 |
|           | Bottom Drawer   | 11 3/4 | 11 1/4 | 3/4 |
| V3621TDR  | Cabinet         | 36     | 34 1/2 | 21  |
|           | Door            | 11 3/4 | 22 3/4 | 3/4 |
|           | Long Top Drawer | 35 3/4 | 6 1/4  | 3/4 |
|           | Middle Drawer   | 11 3/4 | 11 1/4 | 3/4 |
|           | Bottom Drawer   | 11 3/4 | 11 1/4 | 3/4 |



V3621TDL: 36" Combo w Drawers Left  
V3621TDR: 36" Combo w Drawers Right

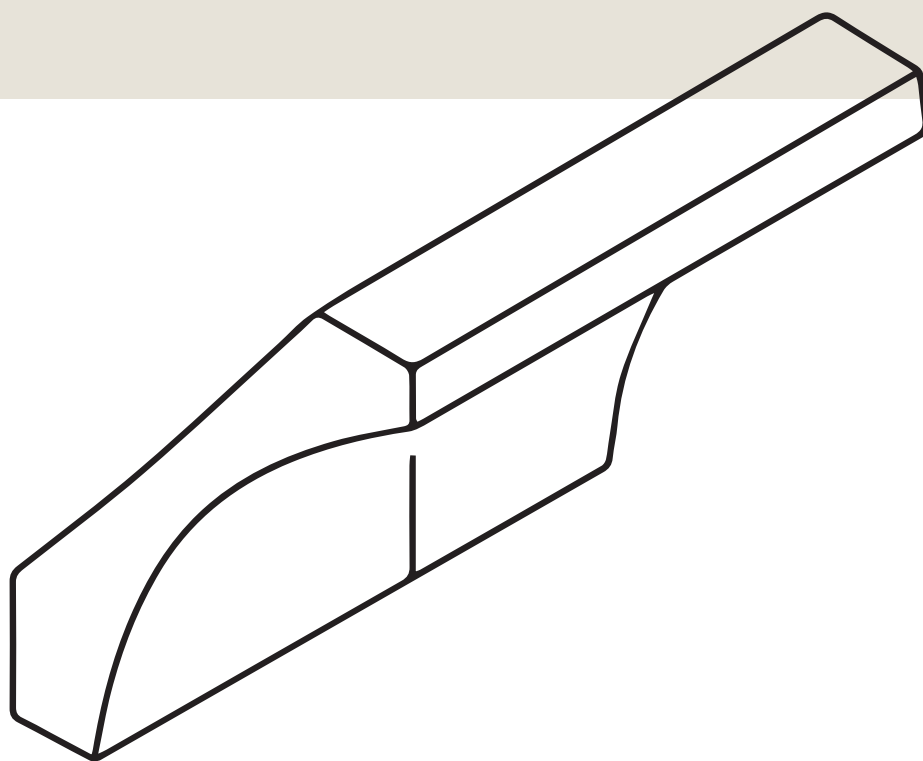
## Vanity Sink Drawer Base Cabinet

| Item Code |                 | W      | H      | D   |
|-----------|-----------------|--------|--------|-----|
| VSD36     | Cabinet         | 36     | 34 1/2 | 21  |
|           | Doors           | 17 3/4 | 22 1/2 | 3/4 |
|           | Outside Drawers | 10 1/4 | 6 1/4  | 3/4 |
|           | Center Drawer   | 14 1/2 | 6 1/4  | 3/4 |
| VSD42     | Cabinet         | 42     | 34 1/2 | 21  |
|           | Doors           | 20 3/4 | 22 1/2 | 3/4 |
|           | Outside Drawers | 11 1/2 | 6 1/4  | 3/4 |
|           | Center Drawer   | 18     | 6 1/4  | 3/4 |
| VSD48     | Cabinet         | 48     | 34 1/2 | 21  |
|           | Doors           | 23 3/4 | 22 1/2 | 3/4 |
|           | Outside Drawers | 14 1/2 | 6 1/4  | 3/4 |
|           | Center Drawer   | 18     | 6 1/4  | 3/4 |



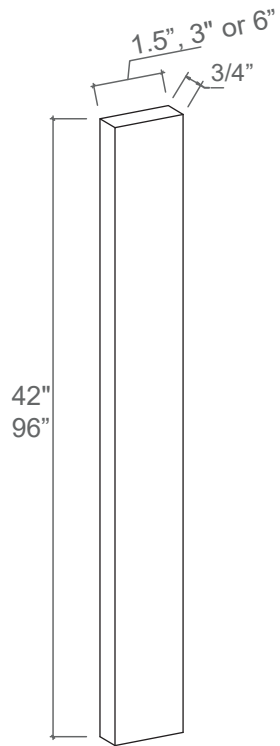
# Accessories & Molding

Explore all our SKUs and sizes to  
find the perfect fit for your needs.



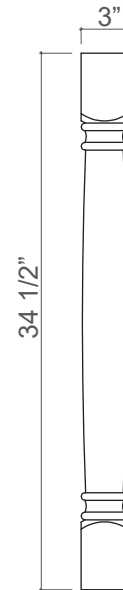
## Wall / Tall Fillers

| Item Code | L  |
|-----------|----|
| F1.5      | 96 |
| F342      | 42 |
| F396      | 96 |
| F642      | 42 |
| F696      | 96 |



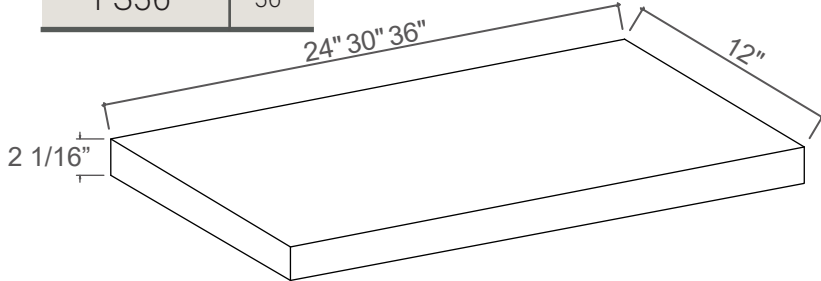
## Classic Decorative Leg

| Item Code |
|-----------|
| CLDL      |



### Floating Shelf

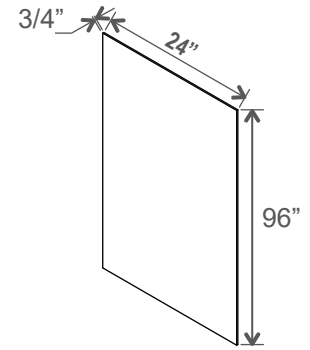
| Item Code | L  |
|-----------|----|
| FS24      | 24 |
| FS30      | 30 |
| FS36      | 36 |



Comes with hardware

### Shelf Board

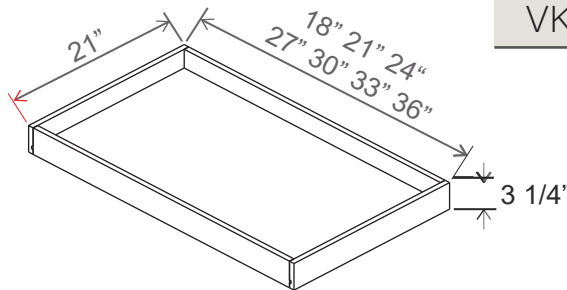
| Item Code | L  |
|-----------|----|
| S2496     | 96 |



Banded on both edges  
Finished on all 4 sides  
Color to match cabinet

### Roll Out Tray

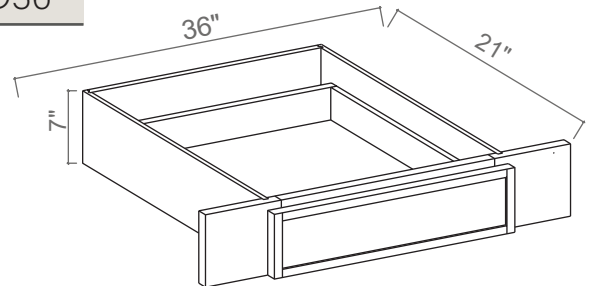
| Item Code |
|-----------|
| RS18      |
| RS21      |
| RS24      |
| RS27      |
| RS30      |
| RS33      |
| RS36      |



Natural finish. Side mount only.  
Full extension, not self-closing

### Knee Drawer

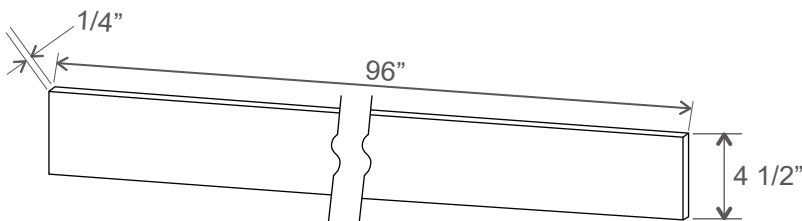
| Item Code |
|-----------|
| VKD36     |



Note : Max trim to 30"  
Note: Interior Drawer Dimensions 3 1/2" x 18 1/4" x 20 1/4"

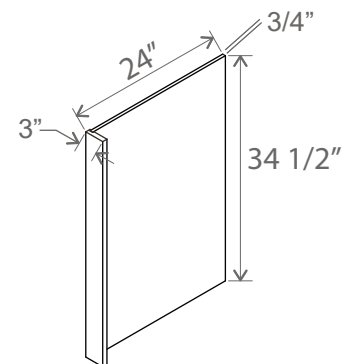
### Toe Kick

| Item Code | L  |
|-----------|----|
| TKC       | 96 |



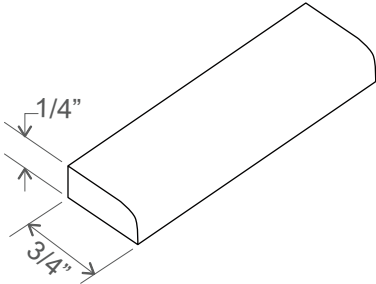
### Dishwasher Return Panel

| Item Code | L      |
|-----------|--------|
| DWR3      | 34 1/2 |



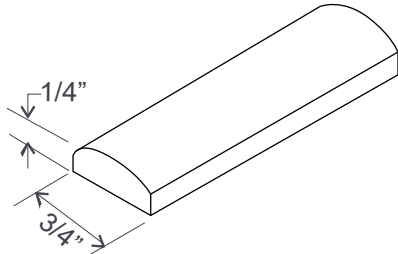
### Scribe Moulding

| Item Code | L  |
|-----------|----|
| SM8(SCR)  | 96 |



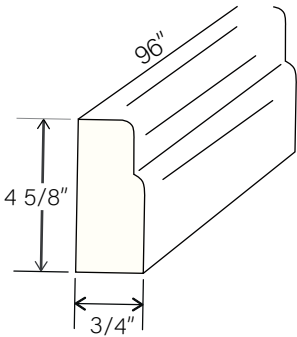
### Batten Moulding

| Item Code | L  |
|-----------|----|
| BAM       | 96 |



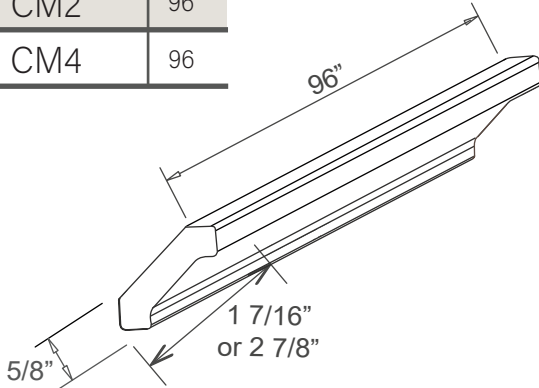
### Furniture Base Moulding

| Item Code | L  |
|-----------|----|
| FBM       | 96 |



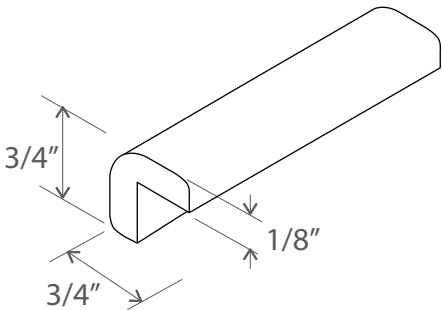
### Crown Moulding

| Item Code | L  |
|-----------|----|
| CM2       | 96 |
| CM4       | 96 |



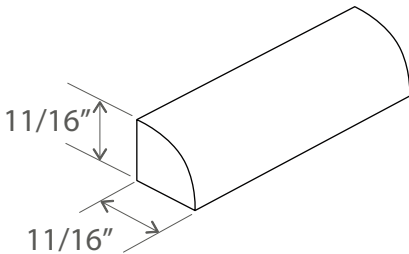
### Outside Corner Moulding

| Item Code | L  |
|-----------|----|
| OCM8      | 96 |



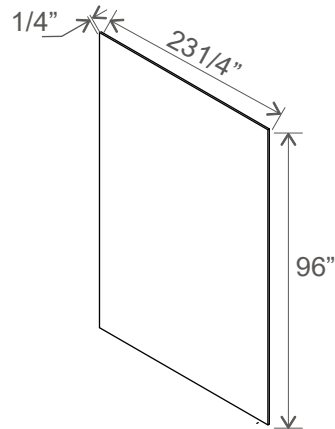
### Shoe Moulding

| Item Code | L  |
|-----------|----|
| SHM       | 96 |



### Tall Skin Veneer Panel

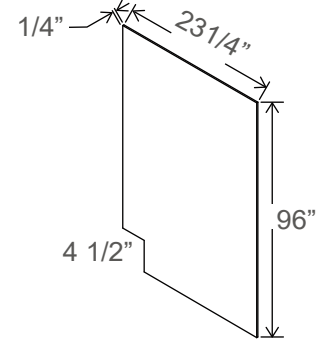
| Item Code | L  |
|-----------|----|
| USV2496   | 96 |



Note: Edges are not finished

### Tall Skin Veneer Panel

| Item Code | L  |
|-----------|----|
| USV2496   | 96 |

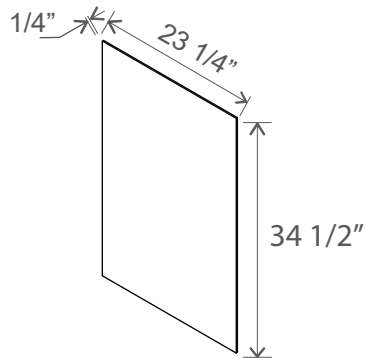


Available in all color options **excluding SWO and SDW**

Note: Edges are not finished

### Base Skin Veneer Panel

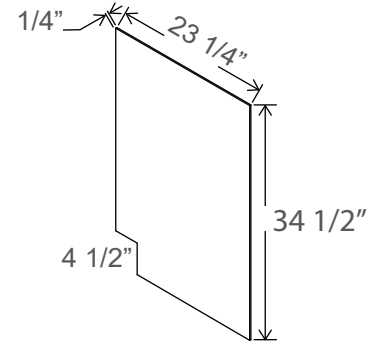
| Item Code | L      |
|-----------|--------|
| BSV       | 34 1/2 |



Note: Edges are not finished

### Base Skin Veneer Panel

| Item Code | L      |
|-----------|--------|
| BSV       | 34 1/2 |

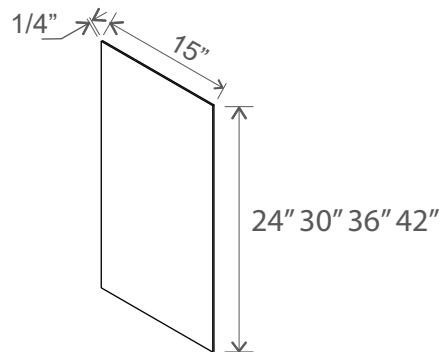


Available in all color options **excluding SWO and SDW**

Note: Edges are not finished

### Wall Skin Panel

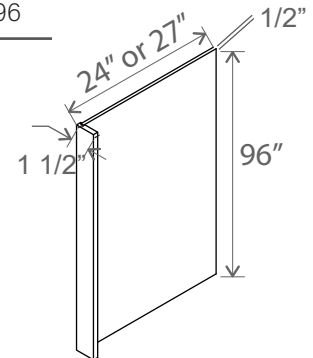
| Item Code | L  |
|-----------|----|
| WSV24     | 24 |
| WSV30     | 30 |
| WSV36     | 36 |
| WSV42     | 42 |



Note: Edges are not finished

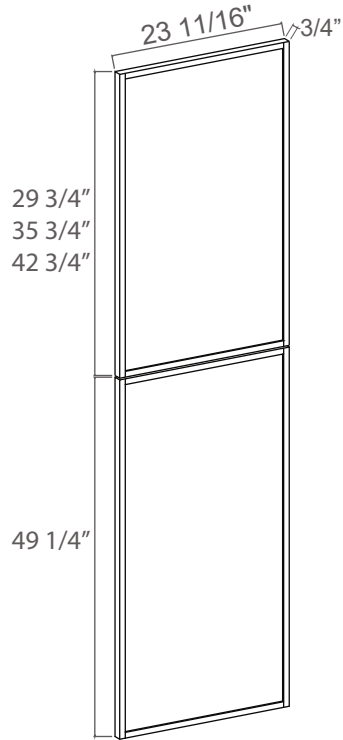
### Refrigerator End Panel

| Item Code | L  |
|-----------|----|
| REPV2496  | 96 |
| REPV2796  | 96 |



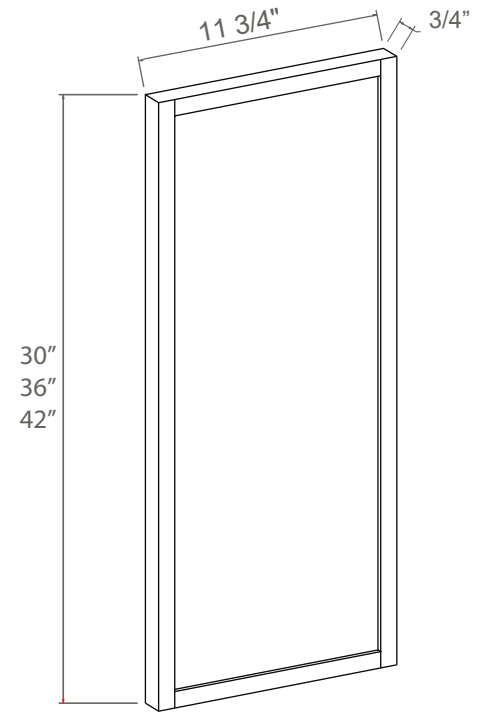
### Tall Derivative Door Panel

| Item Code | L  |
|-----------|----|
| TDEP2484  | 79 |
| TDEP2490  | 85 |
| TDEP2496  | 91 |



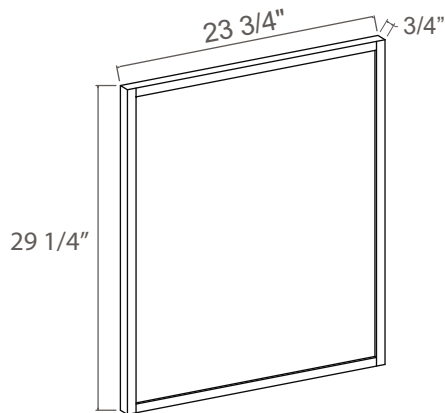
### Wall Decorative Door Panel

| Item Code | L      |
|-----------|--------|
| WDEP30    | 29 3/4 |
| WDEP36    | 35 3/4 |
| WDEP42    | 41 3/4 |



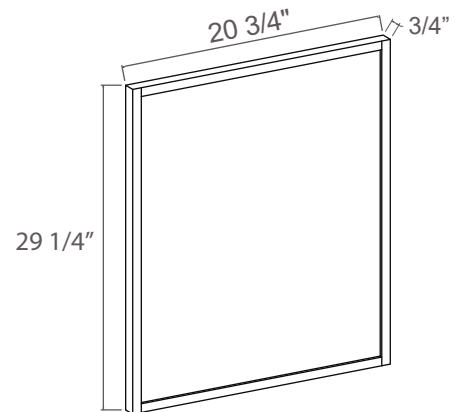
### Base Decorative Door Panel

| Item Code | L       |
|-----------|---------|
| BDEP      | 29 1/4" |



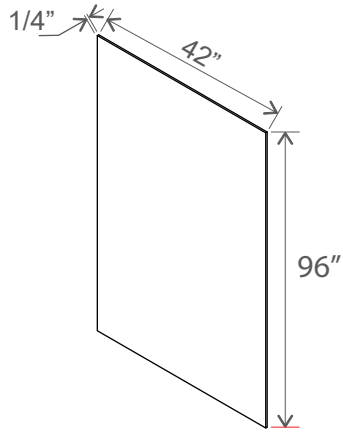
### Vanity Decorative Door Panel

| Item Code | L         |
|-----------|-----------|
| VDEP      | 20 11/16" |



## Finish Plywood Panel

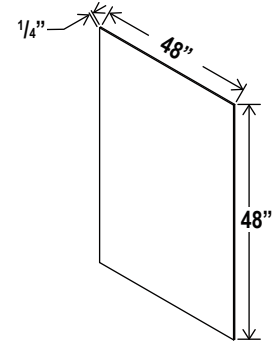
| Item Code | L  |
|-----------|----|
| FPV4296   | 96 |



Note: Edges are not finished

## Skin Panel - Interior

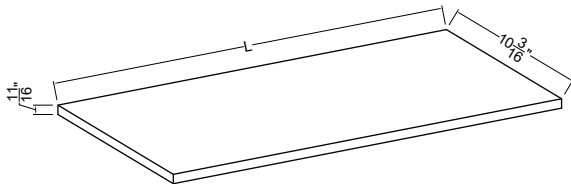
| Item Code             | W  | H  | D   |
|-----------------------|----|----|-----|
| Skin Panel - Interior | 48 | 48 | 1/4 |



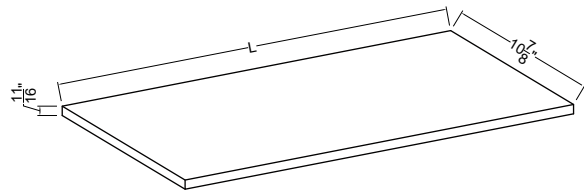
Natural color finish that matches the interior.

## Shelf Board

| Item Code     | W  |
|---------------|----|
| Shelf Board W | 36 |
| Shelf Board B | 48 |



Shelf Interior W

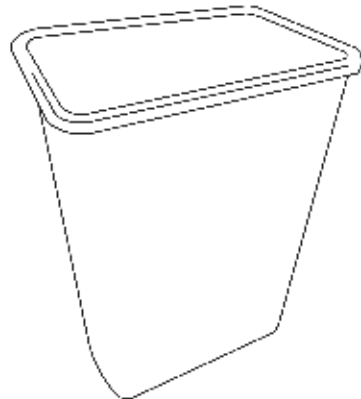


Shelf Interior B

Natural color finish that matches the interior.

Trash Bin  
Item Code

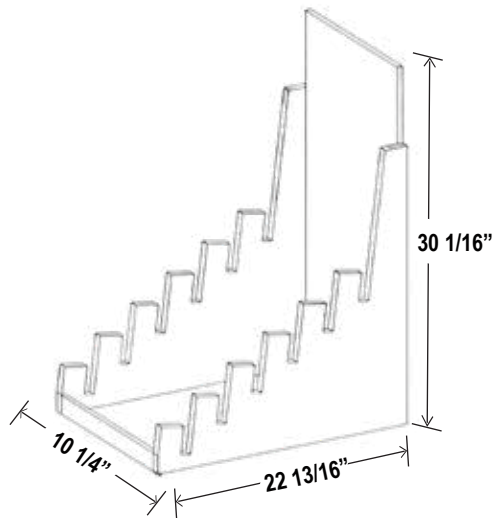
Trash Bin



35-Quart Trash Can (8.75 Gallons)

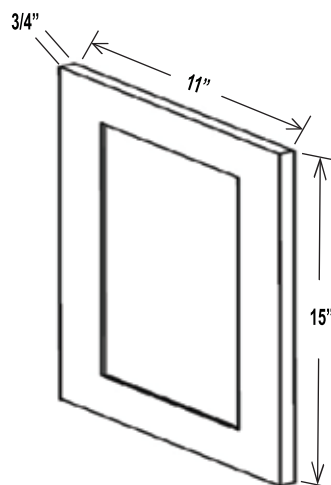
Sample Door - Display  
Item Code

Sample Door - Display



Sample Door  
Item Code

SD



# Warranty

## 12 months

### LIMITED TIME WARRANTY

**Sunshine Home Material stands behind the quality and craftsmanship of our products.** We provide a 12-month limited warranty to the original residential purchaser, covering defects in materials and workmanship for cabinets, door hinges, and drawer glides under normal use (proof of purchase is required). This warranty is non-transferable and applies exclusively to residential installations.

If a product is found to be defective, Sunshine Home Material will, at its discretion, repair or replace it with a functionally equivalent item. Replacement parts may vary based on availability. While Sunshine covers the cost of replacement parts, the customer is responsible for any related expenses such as removal/demo, reinstallation, labor, oversized shipping, etc.

This warranty does not cover normal wear and tear, misuse, accidental damages, improper installation or handling, environmental conditions, alterations, or lack of routine maintenance. Natural characteristics of wood such as variations in color and grain, aging over time, and minor paint hairline fractures caused by the normal expansion/contraction of the wood are inherent qualities of the material and are not considered defects. The warranty is valid only in the United States and excludes indirect or consequential damages to the extent permitted by law.

Professional installation is required and all manufacturer instructions should be carefully followed. Sunshine Home Material cannot be responsible for damage or injury resulting from improper handling, installation, misuse, modification, or jobsite conditions. Sunshine Home Material is not responsible for indirect or consequential damages and liability is limited to the product as supplied.

By purchasing or installing Sunshine Home Material products, the purchaser and installer acknowledge responsibility for their proper handling, installation, and care. This warranty gives you specific legal rights; you may have other rights which vary from state to state.

To exercise this warranty, please contact the Sunshine Home Material supplier from whom you purchased the material from with photos of the defect, a description of the part/cabinet effected, along with the Invoice number. Claims take 24-48 hours to process on average but more time may be needed depending on part availability.



## Sunshine Home Material Cabinetry · Stone · Flooring

Value Quality Factory Direct

**Sunshine Home Material stands behind the quality and craftsmanship of our products.** We provide a normal wear and tear, damage or defects caused by accidents, misuse, abuse, lack of necessary maintenance or acts of God are not covered by this warranty. Alterations, modifications, improper handling / storage, environmental conditions, nor any labor expenses will be included in this warranty and is the installers/purchaser's liability.

The variation in color and grain pattern in the wood adds to its natural beauty and is not considered an imperfection. Environmental factors, including but not limited to artificial / natural light, moisture, cleaners, smoke, etc., may cause the darkening or mellowing of a cabinet over time. This is a natural process and can be expected. This warranty does not cover the natural aging or darkening / mellowing of wood color, the inherent growth characteristics of/or variation in wood.

Some of the cabinet lines feature a glazed finish which accentuates the door and drawer front profiles. This glaze is hand applied over a stain or paint and may, due to the nature of application, consist of random drips, runs, etc. As glazing is a hand applied process, there will be variations in color and appearance from door to door and cabinet to cabinet. This is not considered a defect and is considered normal for hand applied finishes. It is the nature of the wood to expand and contract to varying degrees depending on the climate conditions. As a result, cabinet lines with painted surfaces may show fractures in the paint at the joints. This is normal and not considered a defect.

To exercise this warranty, please contact the Sunshine Home Material supplier from whom you purchased the material from with photos of the defect, a description of the part/cabinet effected, along with the Invoice number. Claims take 24-48 hours to process on average but more time may be needed depending on part availability.



### General Contact

(407) 704 - 8117

[sales@sunshinehomematerial.com](mailto:sales@sunshinehomematerial.com)

Spanish, English





# Ready To Order For Your Next Project?

Please simply click the following links or paste them in your browser for more information



**New Accounts**  
Application Form

<https://www.sunshinehomematerial.com/general-contractor>  
<https://www.sunshinehomematerial.com/register>



**See Our Products**

<https://www.sunshinehomematerial.com/cabinets>



**Visit Our Website**

[www.sunshinehomematerial.com](http://www.sunshinehomematerial.com)



(407) 704-8117



3827 WD Judge Dr, Suite 110, Orlando FL 32808



[sales@sunshinehomematerial.com](mailto:sales@sunshinehomematerial.com)



**Sunshine Home Material**  
Cabinetry · Stone · Flooring

Value Quality Factory Direct